

Integrity Series Treadmill (CLST)

Operation Manual



CORPORATE HEADQUARTERS

Columbia Centre III, 9525 West Bryn Mawr Avenue, Rosemont, Illinois 60018 • U.S.A.

847.288.3300 • FAX: 847.288.3703

Service phone number: 800.351.3737 (toll-free within U.S.A., Canada)

Global Website: www.lifefitness.com

INTERNATIONAL OFFICES

AMERICAS

North America Life Fitness, Inc.

Columbia Centre III
9525 West Bryn Mawr Avenue
Rosemont, IL 60018 U.S.A
Telephone: (847) 288 3300
Fax: (847) 288 3703
Service Email:
customersupport@lifefitness.com
Service Website: www.lifefitness.com/parts
Sales/Marketing Email:
commercialsales@lifefitness.com
Operating Hours: 7:00 am-6:00 pm (CST)

Brazil Life Fitness Brasil

Av. Cidade Jardim, 900
Jd. Paulistano
São Paulo, SP 01454-000
BRAZIL
SAC: 0800 773 8282
Telephone: +55 (11) 3095 5200
Fax: +55 (11) 3095 5201
Service Email: suporte@lifefitness.com.br
Sales/Marketing Email:
lifefitness@lifefitness.com.br
Service Operating Hours:
9:00 - 17:00 (BRT) (Monday-Friday)
Store Operating Hours:
9:00 -20:00 (BRT) (Monday-Friday)
10:00 - 16:00 (BRT) (Saturday)

Latin America & Caribbean* Life Fitness Inc.

Columbia Centre III
9525 West Bryn Mawr Avenue
Rosemont, IL 60018 U.S.A
Telephone: (847) 288 3300
Fax: (847) 288 3703
Service Email:
customersupport@lifefitness.com
Sales/Marketing Email:
commercialsales@lifefitness.com
Operating Hours: 7:00am-6:00pm (CST)

EUROPE, MIDDLE EAST, & AFRICA

(EMEA)

Netherlands & Luxemburg Life Fitness Atlantic BV

Bijdorpplein 25-31
2992 LB Barendrecht
THE NETHERLANDS
Telephone: (+31) 180 646 666
Fax: (+31) 180 646 699
Service Email:
service.benelux@lifefitness.com
Sales/Marketing Email:
marketing.benelux@lifefitness.com
Operating Hours: 9.00h-17.00h (CET)

United Kingdom & Ireland Life Fitness UK LTD

Queen Adelaide
Ely, Cambs, CB7 4UB
Telephone: General Office (+44)
1353.666017
Customer Support (+44) 1353.665507
Fax: (+44) 1353.666018
Service Email: uk.support@lifefitness.com
Sales/Marketing Email: life@lifefitness.com
Operating Hours:
General Office: 9.00am - 5.00pm (GMT)
Customer Support: 8.30am - 5.00pm (GMT)

Germany & Switzerland Life Fitness Europe GMBH

Siemensstraße 3
85716 Unterschleißheim
GERMANY
Telephone: (+49) 89.31 77 51.0 (Germany)
(+41) 0848 000 901 (Switzerland)
Fax: (+49) 89.31 77 51.99 (Germany)
(+41) 043 818 07 20 (Switzerland)
Service Email:
kundendienst@lifefitness.com
Sales/Marketing Email:
kundenberatung@lifefitness.com
Operating Hours: 08.30 -16.30h (CET)

Austria Life Fitness Austria

Vertriebs G.m.b.H.
Dückerstraße 7-9/3/36
1220 Vienna
AUSTRIA
Telephone: (+43) 1.61.57.198
Fax: (+43) 1.61.57.198.20
Service Email: kundendienst@lifefitness.com
Marketing/Sales Email:
kundenberatung@lifefitness.com
Operating Hours: 08:30-16.30.h (MEZ)

Spain Life Fitness IBERIA

C/Frederic Mompou 5,1ª^a
08960 Sant Just Desvern Barcelona
SPAIN
Telephone: (+34) 93.672.4660
Fax: (+34) 93.672.4670
Service Email: servicio.tecnico@lifefitness.com
Sales/Marketing Email:
info.iberia@lifefitness.com
Operating Hours:
9.00h-18.00h (Monday-Thursday)
8.30h-15.00h (Friday)

Belgium Life Fitness Benelux NV

Parc Industriel de Petit-Rechain
4800 Verviers
BELGIUM
Telephone: (+32) 87 300 942
Fax: (+32) 87 300 943
Service Email:
service.benelux@lifefitness.com
Sales/Marketing Email:
marketing.benelux@lifefitness.com
Operating Hours: 9.00h -17.00h (CET)

All Other EMEA Countries & Distributor Business C-EMEA*

Bijdorpplein 25-31
2992 LB Barendrecht
THE NETHERLANDS
Telephone: (+31) 180 646 644
Fax: (+31) 180 646 699
Service Email:
service.db.cemea@lifefitness.com
Sales/Marketing Email:
marketing.db.cemea@lifefitness.com
Operating Hours: 9.00h-17.00h (CET)

ASIA PACIFIC (AP)

Japan Life Fitness Japan

Japan Nippon Brunswick Bldg., #8F
5-27-7 Sendagaya
Shibuya-Ku, Tokyo
Japan 151-0051
Telephone: (+81) 3.3359.4309
Fax: (+81) 3.3359.4307
Service Email: service@lifefitnessjapan.com
Sales/Marketing Email:
sales@lifefitnessjapan.com
Operating Hours: 9.00h-17.00h (JAPAN)

China and Hong Kong Life Fitness Asia Pacific LTD

Room 2610, Miramar Tower
132 Nathan Road
Tsimshatsui, Kowloon
HONG KONG
Telephone: (+852) 2891.6677
Fax: (+852) 2575.6001
Service Email:
HongKongEnquiry@lifefitness.com
Sales/Marketing Email:
ChinaEnquiry@lifefitness.com
Operating Hours: 9.00h-18.00h

All Other Asia Pacific countries & distributor business Asia Pacific*

Room 2610, Miramar Tower
132 Nathan Road
Tsimshatsui, Kowloon
HONG KONG
Telephone: (+852) 2891.6677
Fax: (+852) 2575.6001
Service Email:
HongKongEnquiry@lifefitness.com
Sales/Marketing Email:
ChinaEnquiry@lifefitness.com
Operating Hours: 9.00h-18.00h

* Also check www.lifefitness.com for local representation or distributor/dealer

Table of Contents

Important Safety Instructions	5
1 Setup	10
2 Console Overlay and Activity Zone	13
2.1 Console Overlay and Activity Zone Overview	13
2.2 Console Overlay and Activity Zone Descriptions	14
2.3 Reading Rack and Accessory Trays	17
3 Heart Rate Zone Training®	18
3.1 Why Heart Rate Zone Training Exercise?	18
3.2 Heart Rate Monitoring	19
4 Workouts	20
4.1 Workout Overview	20
4.2 Using the Workouts	22
4.3 Workout Descriptions	23
4.4 Maximizing Workouts on a Life Fitness Treadmill	32
5 Wireless Connectivity	34
6 User Menu (Optional Settings)	35
6.1 Entering and Using the Service Menu	35
6.2 Manager's Configuration (Optional Settings)	36
7 Service and Technical Data	40
7.1 Preventive Maintenance Tips	40
7.2 Preventive Maintenance Schedule	41
7.3 Troubleshooting the Treadmill	42
7.4 Troubleshooting the Optional Polar® Telemetry Heart Rate Chest Strap	44
7.5 How to Adjust and Tension the Striding Belt	45
7.6 Proactive Belt Wear Notification	46
7.7 How to Obtain Product Service / Serial Number Location	46
8 Specifications	47
9 Warranty	48

Before using this product, it is essential to read this ENTIRE operation manual and ALL installation instructions. It describes equipment setup and instructs members on how to use it correctly and safely.

Avant d'utiliser ce produit, il est indispensable de lire ce manuel d'utilisation dans son INTÉGRALITÉ, ainsi que TOUTES les instructions d'installations.

Ce manuel explique comment installer l'équipement et comment l'utiliser correctement et sans danger.

FCC Warning - Possible Radio / Television Interference

Note: This equipment has been tested and found to comply with the limits for a Class A digital device, pursuant to part 15 of the FCC rules. These limits are designed to provide reasonable protection against harmful interference when the equipment is operated in a commercial environment. This equipment generates, uses and can radiate radio frequency energy, and if not installed and used in accordance with the instruction manual, may cause harmful interference to radio communications. Operation of this equipment in a residential area is likely to cause harmful interference in which case the user will be required to correct the interference at his own expense.

Class SA (Studio): Professional and / or commercial use.



CAUTION: Any changes or modifications to this equipment could void the product warranty.

Mise en garde : tout changement ou toute modification de ce matériel peut annuler la garantie du produit.

Any service, other than cleaning or user maintenance, must be performed by an authorized service representative.

This Operation Manual describes the functions of the following product:

Integrity Series Treadmill (CLST)

See "Specifications" in this manual for product specific features.

Statement of Purpose: The Life Fitness Treadmill is an exercise machine that enables users to walk or run, in place, on a moving surface.



CAUTION: Life Fitness STRONGLY recommends seeing a physician for a complete medical exam before undertaking an exercise program, particularly if the user has a family history of high blood pressure or heart disease, or is over the age of 45, or smokes, has high cholesterol, is obese, or has not exercised regularly in the past year.

If, at any time while exercising, the user experiences faintness, dizziness, pain, or shortness of breath, he or she must stop immediately.



Mise en garde: Life Fitness conseille VIVEMENT de consulter un médecin pour subir un examen médical complet avant de commencer tout programme d'exercice, et tout particulièrement si l'utilisateur a des antécédents familiaux d'hypertension ou de troubles cardiaques, ou s'il a plus de 45 ans, s'il fume, s'il a du cholestérol, s'il est obèse ou n'a pas fait d'exercice régulièrement depuis un an.

Si, pendant l'utilisation de l'appareil, l'utilisateur ressent un malaise, des vertiges, des douleurs ou des difficultés à respirer, il doit cesser immédiatement.

IMPORTANT SAFETY INSTRUCTIONS

Read all instructions before using the LIFE FITNESS Treadmill.



DANGER: To reduce the risk of electrical shock, always unplug Life Fitness product before cleaning or attempting any maintenance activity.

- **WARNING:** To reduce the risk of burns, fire, electric shock, or injury, it is imperative to connect each product to a properly grounded electrical outlet.
- **WARNING:** Heart rate monitoring systems may be inaccurate. Over exercising may result in serious injury or death. If you feel faint, stop exercising immediately.
- **WARNING:** Keep the area 6.5 ft. (2 m) by 3 ft. (1 m) behind the Life Fitness treadmill clear of any obstructions, including walls, furniture, and other equipment.
- **WARNING:** Be sure the emergency stop lanyard is clipped to the user and in proper position on the treadmill before beginning any workout.
- **WARNING:** The belt centering adjustment must be performed if the belt is not between the marks indicating the maximum allowed lateral positions. Refer to [Section 6.6](#).
- **CAUTION:** Risk of injury to persons - to avoid injury, use extreme caution when stepping onto or off of a moving belt. Read instruction manual before using.
- **CAUTION:** Any changes or modifications to this equipment could void the product warranty.
 - To disconnect, turn power OFF at the ON/OFF switch, then remove plug from electrical outlet.
 - Never operate a Life Fitness product if it has a damaged power cord or electrical plug, or if it has been dropped, damaged, or even partially immersed in water. Contact Life Fitness Customer Support Services.
 - Position the product so that the power cord plug to the wall is accessible to the user.
 - If the electrical supply cord is damaged, it must be replaced by the manufacturer, an authorized service agent, or a similarly qualified person to avoid a hazard.
 - Always follow the console instructions for proper operation.
 - This appliance is not intended for use by persons (including children) with reduced physical, sensory, or mental capabilities, or lack of experience or knowledge unless they have supervision or been given instruction concerning the use of the appliance by a person responsible for their safety.
 - Do not use this product outdoors, near swimming pools or in areas of high humidity.
 - Never operate a Life Fitness product with the air openings blocked. Keep air openings free of lint, hair, or any other obstructing material.
 - Never insert objects into any opening in these products. If an object should drop inside, turn off the power, unplug the power cord from the outlet, and carefully retrieve it. If the item cannot be reached, contact Life Fitness Customer Support Services.

- Never place liquids of any type directly on the unit, except in an accessory tray or holder. Containers with lids are recommended.
- Do not use these products in bare feet. Always wear shoes. Wear shoes with rubber or high-traction soles. Do not use shoes with heels, leather soles, cleats or spikes. Make sure no stones are embedded in the soles.
- Keep all loose clothing, shoelaces, and towels away from moving parts.
- Do not reach into, or underneath, the unit or tip it on its side during operation.
- Do not allow other people to interfere in any way with the user or equipment during a workout.
- Allow LCD consoles to “normalize” with respect to temperature for one hour before plugging the unit in and using.
- Use these products for their intended use as described in this manual. Do not use attachments that have not been recommended by the manufacturer.
- Keep the power cord away from heated surfaces. Do not pull the equipment by the power cord or use the cord as a handle. Do not run the power cord on the floor under or along the side of the treadmill. Refer to Section 2.5 for proper power cord routing.
- Handrails may be held to enhance stability as needed, but are not for continuous use.
- Never mount or dismount the treadmill while the running belt is moving. Use the handrails whenever additional stability is required. In case of an emergency, such as tripping, grasp the handrails, and place the feet on the side platforms.
- Never walk or jog backwards on the treadmill.
- Do not use this product in areas where aerosol spray products are being used or where oxygen is being administered. Such substances create the danger of combustion and explosion.
- When it is necessary to immobilize the treadmill, set the display to read SELECT WORKOUT. (Press the STOP key twice if not already there.) Then hold down the SPEED DOWN key and press the PAUSE key. The treadmill now displays “IMMOBILIZED”. In this state, the treadmill cannot be operated. The belt and incline motors are disabled. The treadmill will remain in this state across resets, power cycles, etc. To restore normal operation, repeat the same key sequence: hold down the SPEED DOWN key, and press the PAUSE key. The treadmill will display “SELECT WORKOUT” again.
- Read all warnings on each product prior to starting a workout.
- If warnings are missing or damaged, please contact LIFE FITNESS immediately for replacement warning labels. Warning labels are shipped with every product and should be installed before product is used. LIFE FITNESS is not responsible for missing or damaged warning labels.
- Children should be supervised to ensure that they do not play with the product.
- In conformity with the European Union Machinery Directive 2006/42/EC, this equipment unloaded runs at sound pressure levels below 70 dB(A) at the average operating speed of 12 km/hr. Noise emission under load is higher than without load.
- Health and Environmental Regulations Warning - This product may contain chemicals known to the State of California to cause cancer, birth defects, or other reproductive harm. For more information related to the European Commission Regulation (EC) No. 1907/2006 (REACH) and the California Safe Drinking Water and Toxic Enforcement Act of 1986 (Proposition 65), please visit <https://www.lftechsupport.com/web/guest/environmental-regulations-information>.

**SAVE THESE INSTRUCTIONS FOR
FUTURE REFERENCE.**

CONSIGNES DE SÉCURITÉ IMPORTANTES

Lire toutes les instructions avant d'utiliser le tapis roulant.



DANGER: Pour réduire les risques de décharge électrique, toujours débrancher cet appareil Life Fitness avant le nettoyage ou toute mesure d'entretien.

- **AVERTISSEMENT:** Pour réduire les risques de brûlures, d'incendies, de décharges électriques ou de blessures, chaque appareil doit absolument être branché sur une prise électrique correctement mise à la terre.
- **AVERTISSEMENT:** Des systèmes de surveillance de fréquence cardiaque peuvent être inexacts. Trop d'exercices peuvent entraîner des blessures sérieuses, voire mortelles. En cas de sensation d'évanouissement, arrêter immédiatement l'entraînement.
- **AVERTISSEMENT:** Conserver une zone de 2 m sur 1 m libre de toute obstruction derrière le tapis roulant (aucun mur, meuble ou autre appareil).
- **AVERTISSEMENT:** S'assurer que la dragonne d'arrêt d'urgence est attachée à l'utilisateur et fixée adéquatement au tapis roulant avant de commencer un exercice.
- **AVERTISSEMENT:** Le réglage de centrage de la courroie doit être effectué si la courroie ne se trouve pas entre les repères indiquant les positions latérales maximum permises. Reportez-vous à la Section 6.6.
- **MISE EN GARDE:** Risque de blessures corporelles - Pour éviter de se blesser, faire preuve d'extrême prudence lors de la montée ou descente de la courroie en mouvement. Lire les instructions avant tout usage de l'appareil.
- **MISE EN GARDE:** Tout changement et toute modification de ce matériel peut annuler la garantie du produit.
 - Pour débrancher, mettre l'appareil hors tension au niveau de l'interrupteur d'alimentation, puis retirer la fiche de la prise électrique.
 - Ne jamais faire fonctionner un produit Life Fitness dont la fiche ou le cordon d'alimentation est endommagé, ni aucun appareil qui serait tombé ou aurait été endommagé ou même partiellement plongé dans l'eau. Appeler le service clientèle de Life Fitness.
 - Placer ce produit de manière à ce que l'utilisateur puisse accéder à la fiche du cordon d'alimentation.
 - Si le cordon d'alimentation électrique est endommagé, il doit être remplacé par le fabricant, par un réparateur agréé ou par une personne qualifiée afin d'éviter tout danger.
 - Les instructions de la console doivent toujours être suivies pour obtenir un fonctionnement correct.
 - Cet appareil n'est pas prévu pour être utilisé par des personnes (y compris les enfants) dont les capacités physiques, sensorielles ou mentales sont réduites, ou des personnes dénuées d'expérience ou de connaissance, sauf si elles ont pu bénéficier, par l'intermédiaire d'une personne responsable de leur sécurité, d'une surveillance ou d'instructions préalables concernant l'utilisation de l'appareil.

- Ne pas utiliser ce produit à l'extérieur, près d'une piscine ou dans des endroits très humides.
- Ne jamais faire fonctionner d'appareil Life Fitness dont les orifices d'aération seraient bloqués. Les garder exempts de peluches, de cheveux ou de toute obstruction.
- Ne jamais rien insérer dans les ouvertures de cet appareil. Si un objet tombe à l'intérieur de l'appareil, couper l'alimentation électrique, débrancher le cordon de la prise et le récupérer avec précaution. S'il est impossible de l'atteindre, communiquer avec le service à la clientèle de Life Fitness.
- Ne jamais placer aucun liquide directement sur l'appareil, sauf dans le plateau pour accessoires ou un support prévu à cet effet. Il est recommandé d'utiliser des conteneurs munis de couvercles.
- Ne pas utiliser cet appareil pieds nus. Toujours porter des chaussures. Porter des chaussures avec des semelles en caoutchouc ou fournissant une très bonne adhérence. Ne pas utiliser de chaussures à talons, à semelles en cuir ou munies de crampons. S'assurer qu'aucun caillou n'est incrusté dans les semelles.
- Éloigner les vêtements lâches, les lacets et les serviettes des pièces en mouvement.
- Ne pas placer les mains sous l'appareil ou dans l'appareil, et ne pas le renverser sur le côté pendant le fonctionnement.
- Ne laisser personne déranger de quelque manière que ce soit l'utilisateur ou interférer avec l'équipement durant un entraînement.
- Laisser les consoles ACL se « normaliser » pendant une heure quant à la température avant le branchement et l'utilisation de l'appareil.
- Cet appareil ne doit être employé que pour l'usage auquel il est destiné, conformément aux directives du manuel. Ne pas utiliser d'accessoires qui ne sont pas recommandés par le fabricant.
- Tenir le cordon d'alimentation à l'écart de toute surface chauffée. Ne pas tirer l'appareil par le cordon d'alimentation; ne pas utiliser le cordon comme poignée. Ne pas faire passer le cordon sur le sol, sous le tapis roulant, ni le long de l'appareil. Reportez-vous à la Section 2.5 pour la disposition adéquate du cordon d'alimentation.
- Les rampes latérales peuvent servir à rétablir son équilibre, mais ne sont pas destinées à un usage continu.
- Ne jamais monter sur le tapis de course et ne pas en descendre jamais pendant qu'il tourne. Utiliser les rampes latérales afin de ne pas perdre l'équilibre. En cas d'urgence, par exemple, en cas de trébuchement ou de faux pas, saisir les barres latérales et placer les pieds sur les plates-formes latérales.
- Ne jamais marcher ni courir à reculons sur le tapis roulant.
- Ne pas utiliser ce produit dans des salles où des vaporisateurs aérosols sont employés ou bien où de l'oxygène est administré. Ces substances créent des risques de combustion et d'explosion.
- S'il est nécessaire d'immobiliser le tapis roulant, régler l'afficheur sur SELECT WORKOUT (SÉLECTIONNER EXERCICE). (Appuyer deux fois sur la touche Remise à zéro si l'afficheur n'en est pas déjà à ce point.) Maintenir ensuite la touche SPEED DOWN (RALENTISSEMENT) enfoncée et appuyer sur la touche PAUSE. L'appareil affiche désormais IMMOBILIZED (Immobilisé). Il ne peut alors plus fonctionner, Le moteur principal, le moteur en ligne et le cireur sont désactivés. Le tapis roulant restera immobilisé, même s'il est réinitialisé, mis hors tension, puis remis sous tension, etc. Le mode de fonctionnement normal ne peut être rétabli qu'au moyen de la même séquence de touches : maintenir la touche SPEED DOWN (RALENTISSEMENT) enfoncée et appuyer sur PAUSE. L'appareil affichera SELECT WORKOUT (SÉLECTIONNER EXERCICE) à nouveau.
- Lisez tous les avertissements sur chaque produit avant de démarrer un exercice.
- Si les avertissements sont absents ou endommagés, veuillez contacter immédiatement Life Fitness afin de les faire remplacer. Les étiquettes d'avertissement sont livrées avec chaque produit et doivent être installées avant leur utilisation. Life Fitness ne peut être tenu responsable lorsque des étiquettes d'avertissement sont absentes ou endommagées.
- Ne laisser personne déranger de quelque manière que ce soit l'utilisateur ou interférer avec l'équipement durant un entraînement.
- Conformément à la directive Machines 2006/42/EC de l'Union européenne, à vide, cet équipement fonctionne à des niveaux de pression acoustique inférieurs à 70 dB(A) à une vitesse de fonctionnement moyenne de 12 km/h. Les émissions sonores sont plus importantes lorsque l'appareil est chargé.

- R glementation en mati re de sant  et d'environnement : avertissement - Ce produit peut contenir des substances chimiques consid r es par l' tat de Californie comme cancérig nes et causant des malformations cong nitales ou d'autres troubles de l'appareil reproducteur. Pour plus d'informations sur la r glementation europ enne n  1907/2006 (REACH) et le California Safe Drinking Water and Toxic Enforcement Act de 1986 (Proposition 65), connectez-vous   l'adresse suivante : <https://www.lftechsupport.com/web/guest/environmental-regulations-information>.

**CONSERVER CES INSTRUCTIONS
POUR TOUT USAGE ULT RIEUR.**

1 SETUP

Read the Operation Manual before setting up the Life Fitness Treadmill. Place the treadmill where it will be used before beginning the setup procedure.

WHERE TO PLACE THE LIFE FITNESS® TREADMILL

Follow all safety instructions in Section 1 and move the Life Fitness Treadmill to the location in which it will be used. See Section 7 for the dimensions of the footprint. Allow 1 foot of clearance in front of the Life Fitness Treadmill to allow for movement of the pedal levers. It should be easy to mount the Life Fitness Treadmill from the side.

ELECTRICAL POWER REQUIREMENTS

The Life Fitness Treadmill requires a dedicated* line with isolated neutral according to the electrical configurations listed in the chart below.

Supply Voltage	Frequency (Hz)	Rated Current (Amps)
100	50 / 60	18
120	50 / 60	18
200	50 / 60	9
220	50 / 60	9
230	50 / 60	9
240+	50 / 60	9

* One individual branch circuit for each treadmill per NEC article 210-21 (b) (1) and 210-23 (or other appropriate, country specific electrical compliance guidelines). The hot and neutral wires must each be routed independently (not looped or tied to other circuits) .

Note: Do not modify the plug provided with this product. If the plug does not fit into an available electrical outlet, have a proper outlet installed by a qualified electrician.

GROUNDING INSTRUCTIONS

This Life Fitness product must be properly grounded. If the unit malfunctions or breaks down, proper grounding provides a path of least resistance for the electric current, which reduces the risk of shock to anyone touching or using the equipment. Each unit is equipped with an electrical cord, which includes an equipment grounding conductor and a grounding plug. The plug must be inserted into an outlet that has been properly installed and grounded in accordance with all local codes and ordinances.



A temporary adapter MUST NOT BE USED to connect this plug to a two-pole receptacle in North America. If a properly grounded, 20-amp outlet is not available, one must be installed by a qualified electrician. Models drawing 16 amps or more must be installed on a dedicated line.



IL EST ABSOLUMENT INTERDIT d'employer un adaptateur temporaire pour brancher cette fiche sur une prise bipolaire en Amérique du Nord. Si aucune prise de 20 A correctement mise à la terre n'est disponible, en faire installer une par un électricien qualifié. Les modèles utilisant 16 A ou plus doivent être branchés sur un circuit spécialisé.



DANGER: A risk of electrical shock may result from improper connection of the equipment-grounding conductor. Check with a qualified electrician if in doubt as to proper grounding technique. DO NOT modify the plug provided with the product. If it will not fit an electrical outlet, have a proper outlet installed by a qualified electrician. Any modification to the electrical plug will result in a voided warranty.



Un branchement incorrect du conducteur de mise à la terre peut entraîner des risques de décharge électrique. Consulter un électricien si des doutes subsistent quant à la technique de mise à la terre. NE PAS MODIFIER la fiche fournie avec l'appareil. Si elle ne s'adapte pas à une prise, faire installer une prise correcte par un électricien qualifié. Toutemodification à la fiche annule la garantie.

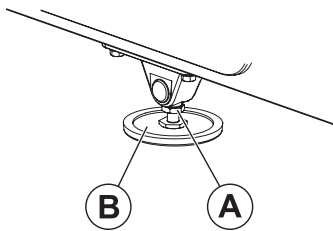
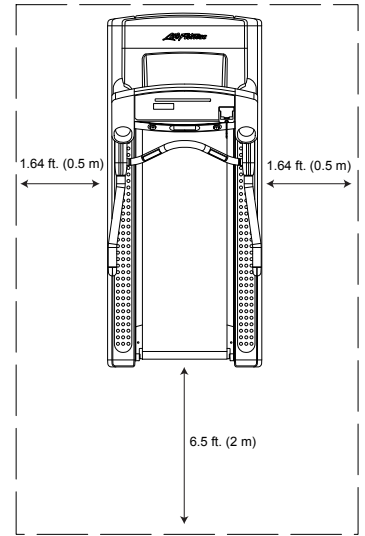
How to Position and Stabilize the Life Fitness Treadmill

Following all IMPORTANT SAFETY INSTRUCTIONS and move the treadmill to the location in which it will be used. See *Specifications* for the dimensions of the product footprint (assembled dimensions).

Safety Clearances

The following information is supplied as regional reference data regarding safety clearances around the exterior of the treadmill.

- **EU:** The European EN957 Safety Standard requires a 2 meter (6.5 feet) minimum from the rear of the treadmill to any object or surface.
- **U.S. and other regions:** The ASTM International (ASTM) F2115 - 05 Standard recommends the minimum dimensions to be 0.5 meter (1.64 feet) on each side of the treadmill and 1 meter (3.28 feet) behind the rearward most portion of the usable moving surface or 2 meters (6.5 feet) behind the furthest rearward obstruction to emergency egress from the treadmill.
- After placing the unit where it will be used, check its stability. If there is even a slight rocking motion or the unit is not stable, determine which stabilizing leg is not resting on the floor. To adjust, loosen the JAM NUT (A), and turn the STABILIZING LEG (B) until the rocking motion ceases, and both stabilizing legs rest firmly on the floor. Retighten the JAM NUT.



NOTE: It is extremely important that the stabilizing leg be correctly adjusted for proper operation. An unbalanced unit may cause striding belt misalignment. A bubble level is recommended to ensure proper leveling.

Turning the Unit On

To turn the treadmill on, locate the ON/OFF power switch located on the front panel at the base of the treadmill. The ON/OFF switch has two positions: "1" (one) for ON and "0" (zero) for OFF. Switch it to the ON position.

NOTE (INTERNATIONAL UNITS ONLY): Treadmill will go into Energy Saving Mode after 5 minutes of inactivity. To wake up the console, step on the treadmill belt. The treadmill will automatically wake up and the console will light up. Waking up the treadmill takes approximately 10 seconds after stepping onto the belt.

Centering the Belt

After installing and levelling the treadmill, check the belt to ensure that it is tracking properly. First, plug the power cord into an appropriate outlet. See *Electrical Requirements* at the beginning of this section for details. Then turn the treadmill ON.

Have one person stand on the platforms on either side of the treadmill frame. Do not stand on the belt at this time. Press the QUICK START key, and increase the speed to 4.0 miles per hour (mph), or 6.4 kilometers per hour (kph), using the SPEED UP arrow.

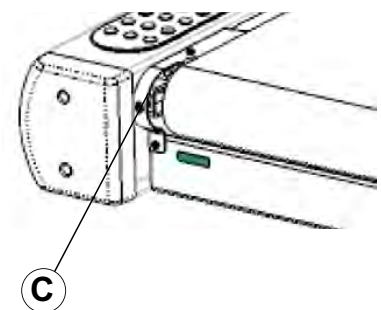
If the striding belt moves to the right while it is running, have a second person turn the right tension bolt a quarter-turn clockwise, and then turn the left tension bolt (C) a quarter-turn counter-clockwise. See the illustration below. This action sets the striding belt tracking back to center of the roller.

If the striding belt moves to the left, turn the left tension bolt a quarter-turn clockwise and then turn the right tension bolt a quarter-turn counter-clockwise to start the striding belt tracking back to center of roller.

If the striding belt has moved as far as, or to the edge of the roller (either right or left side), it must be re-centered per the above procedure.

Repeat these adjustments until striding belt appears centered. Allow the belt to continue running for several minutes to be sure that the tracking is stabilized.

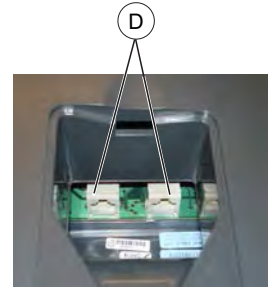
NOTE: Do not exceed one full turn of the adjusting screws in either direction. If, after one full turn, the belt does not track properly, contact Life Fitness Customer Support Services.



Fitness Networking

The two interchangeable type RJ45 networking ports (D) are located on the back of the display console. These network ports, located behind the display console rear access door, allow the treadmill to be connected to a fitness entertainment system and / or fitness network such as FitLinxx®.

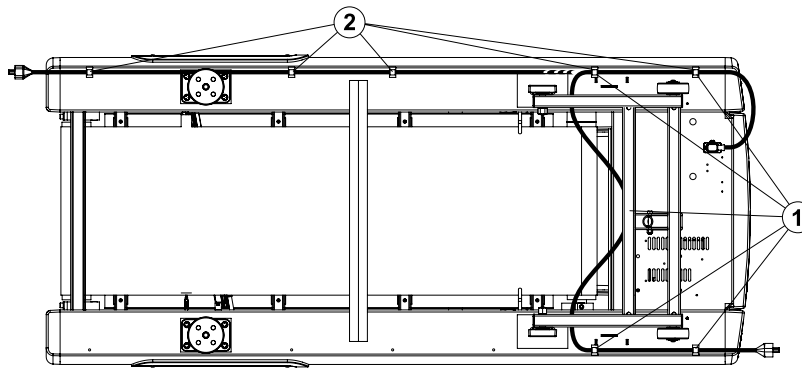
- **Networking:** The built-in networking ports allow the unit to exchange workout information with a fitness network database.
- **Fitness Entertainment:** The network connection enables the console to power a third-party receiver for use with a service such as the Cardio Theater® entertainment system or the BroadcastVision™ entertainment system.



Power Cord Routing

The power cord can be run straight from the treadmill, shortened and exited out the user-front left side, or run under the frame using the power cord clips and exited out the user right-rear side of the treadmill. For efficient cord management, the following routing options are recommended:

With the power cord unplugged, insert the clips in the appropriate holes. See the illustration below. Use Hole Pattern 1 or 2 to locate the clips and secure the power cord with the clips, taking up any slack between clips.



NOTE: It may be necessary to tip the treadmill to route the power cord properly.

To plug the power cord into an outlet in front of the treadmill, use Hole Pattern 1 for outlets located at the front of the machine.

NOTE: To accommodate treadmill incline, at least two feet (24") of power cord is required between the outlet and the last power cord clip for outlets in front of the treadmill.

To plug the power cord into an outlet in rear of the treadmill, use Hole Pattern 2 for outlets located at the rear of the machine.

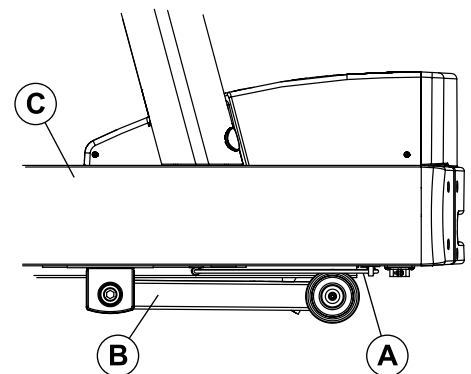


WARNING: Make sure that there is a 6.5 foot clearance behind the treadmill. Contact Life Fitness Customer Services for an optional longer power cord if necessary.



WARNING: Insure that the power cord (A) does not contact the striding belt or get pinched between the frame (C), lift arm (B) or the wheel. Failure to follow this warning may result in serious injury.

AVERTISSEMENT : S'assurer que le cordon d'alimentation n'entre pas en contact avec le tapis et ne soit pas pincé entre le cadre, le bras de levage ou la roue. Le non-respect de cet avertissement peut provoquer de graves blessures

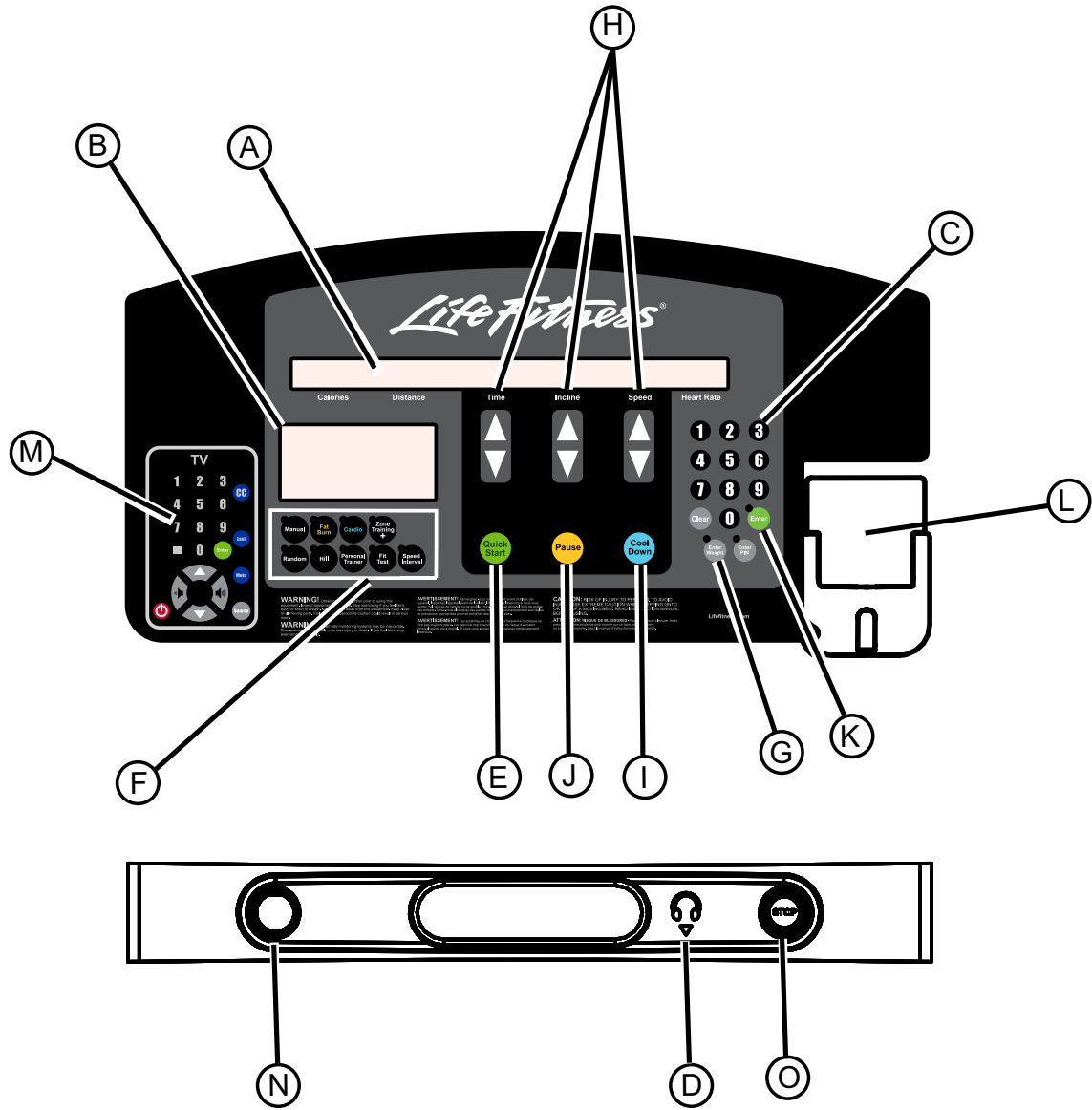


NOTE: When using Pattern 1, it is extremely important to route the power cord BETWEEN the lift frame and the main frame.

2 Console Overlay

2.1 Console Overlay

The computerized display console on the cross-trainer allows the user to tailor a workout to personal fitness abilities and goals and to monitor progress. With this easy-to-use console, the user can track fitness improvement from one workout to another.



2.2 Console Overlay Description

- A. MESSAGE CENTER: This window displays step-by-step instructions for setting up a workout. During a workout, it displays statistics about the progress of the workout:
- **Level:** programmed resistance level.
 - **Heart Rate:** the detected heart rate if the user is wearing the Polar telemetry heart rate chest strap or grasping the Lifepulse system sensors.
 - **Steps per Minute:** the rate of steps climbed per minute.
 - **Total Steps Climbed:** the number of steps climbed since beginning the workout.
 - **Total Floors Climbed:** the number of floors climbed since beginning the workout.
 - **Calories:** the number of calories burned since beginning the workout.
 - **Time:** time elapsed since the start of the workout.

If configured to do so, the MESSAGE CENTER displays any or all of these three values each time the intensity level changes during the workout:

- **Calories per Hour:** the rate of calories burned per hour.
- **Watts:** effort level in Watts. The Watt is a unit of power output or the expression of the mechanical rate of work.
- **METs:** effort level in METs. The MET is an expression of the rate of work for the human body at rest, or a metabolic equivalent; one MET is approximately equal to the metabolism of a person at rest.

Note: *The Watts display and the Calories per Hour display cannot be turned on at the same time.*

See Section 6 for information about enabling the MESSAGE CENTER to display these additional settings.

- B. WORKOUT PROFILE window: This window displays shapes, made of columns of lights, that represent the levels of intensity in a workout-in-progress. The height of the first column on the left side of the window is proportional to the current level of intensity.

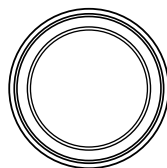
During a **FAT BURN, CARDIO, HEART RATE HILL, HEART RATE INTERVAL, or EXTREME HEART RATE WORKOUT**, which requires the use of a Polar® telemetry heart rate chest strap or the Lifepulse system sensors, the Workout Profile window displays a flashing heart shape to request the user's heart rate signal. If the console does not detect a signal, the MESSAGE CENTER displays the prompt "NEED HEART RATE - PLACE HANDS ON SENSORS OR USE TELEMTRY STRAP". If the console does not receive the signal within three minutes, the workout automatically is converted to a **MANUAL** program.

- C. NUMERIC KEYPAD: These keys are used for workout program parameter entry only. Use the numeric entry keys to enter data such as age, weight, time, level, and steps per minute rate (SPM). The NUMERIC KEYPAD can also be used to start a QUICK START workout at a given SPM rate or change the SPM rate during a QUICK START or MANUAL workout.
- **ENTER PIN:** Log on to the FitLinxx Interactive Fitness Network using a dedicated PIN Number. A FitLinxx Interactive Fitness Network shall be supported through the CSAFE console port connector as a CSAFE Compatible Device.
 - **ENTER WEIGHT:** Press to enter weight anytime during a workout.
 - **ENTER:** Press to confirm workout setup entries.
 - **CLEAR:** Press when programming a workout, to clear incorrect data, such as weight or age, before pressing the ENTER key. Pressing CLEAR once during a workout stops it immediately and pause mode is entered. Pressing CLEAR twice displays the workout summary. Pressing CLEAR three times causes the MESSAGE CENTER to display "SELECT WORKOUT OR PRESS QUICK START" for a new workout.

Note: *The keys on the NUMERIC KEYPAD are NOT used for entertainment device control.*

- D. HEADPHONE JACK: Headphones must be plugged into the bottom of the console to access sound for optional entertainment systems. The jack is not a user-replaceable feature. Contact Life Fitness Customer Support Services for more information

- E. **QUICK START:** Press this key to begin a manual workout immediately, without having to select a workout program. Once the workout is in progress, use the UP / DOWN ARROW keys located on the handlebars, or the LEVEL ARROW keys on the console overlay, to change the intensity level or workout duration as desired.
- F. **WORKOUT SELECTION keys:** Use these keys to select a workout program and / or enter or change the current workout parameters.
- **Fat Burn**
 - **Manual**
 - **Personal Trainer**
 - **Cardio**
 - **Speed Interval**
 - **Hill Plus**
 - **Random**
 - **Zone Training+**
- G. **ENTER WEIGHT key:** Press this key to enter a user weight during a workout. Use the time ARROW keys or the NUMERIC keypad to enter a weight value.
- ENTER PIN key:** Log on to the FitLinxx Interactive Fitness Network using a dedicated PIN Number. A FitLinxx Interactive Fitness Network shall be supported through the CSAFE console port connector as a CSAFE Compatible Device.
- H. **TIME, INCLINE, AND SPEED ARROW keys:** Press these keys to increase or decrease the duration of a workout and cool down phase.
- I. **COOL DOWN key:** Workout programs end automatically in a Cool Down mode, which lowers the resistance level. Press the COOL DOWN key at any desired point during a workout to go immediately into Cool Down mode. In this phase of a workout the body begins to remove lactic acid and other accumulated by-products of exercise, which build up in muscles during a workout and contribute to muscle soreness. The console automatically adjusts each workout's Cool Down level according to the individual user's performance.
- J. **PAUSE:** Press this key to stop the belt and hold the current workout. Continue the workout by pressing the ENTER key.
- K. **ENTER key:** Press this key to confirm entries of workout setup values, as displayed in the MESSAGE CENTER.
- L. **MOBILE DEVICE HOLDER:** Use the holder for storing mobile devices. Users may charge their devices via the universal USB port.
- M. **TV keypad:** These keys are used to control optional entertainment systems.
- N. A circular-shaped STOP magnet is located on the left side of the panel below the display console. A cord with a clip is attached to this magnet. Before starting a workout, attach the clip to clothing. To stop the striding belt on the treadmill, pull the cord, removing the magnet from the console. Replace the magnet to reset the system.



- O. A circular-shaped STOP button is located on the right side of the panel below the display console. Press the button to stop the striding belt and end the current workout.



Note: These keys are NOT used for workout program data entry.

M1 NUMERIC KEYS: Press these keys to enter channels.

M2 CC: Use this key to enable the Closed Caption Choice.

M3 LAST: Press this key to see the last channel viewed.

M4 ENTER: Use this key to enter entertainment selections.

M5 MUTE: Press this key to turn off the sound (*Current Selected Source*).

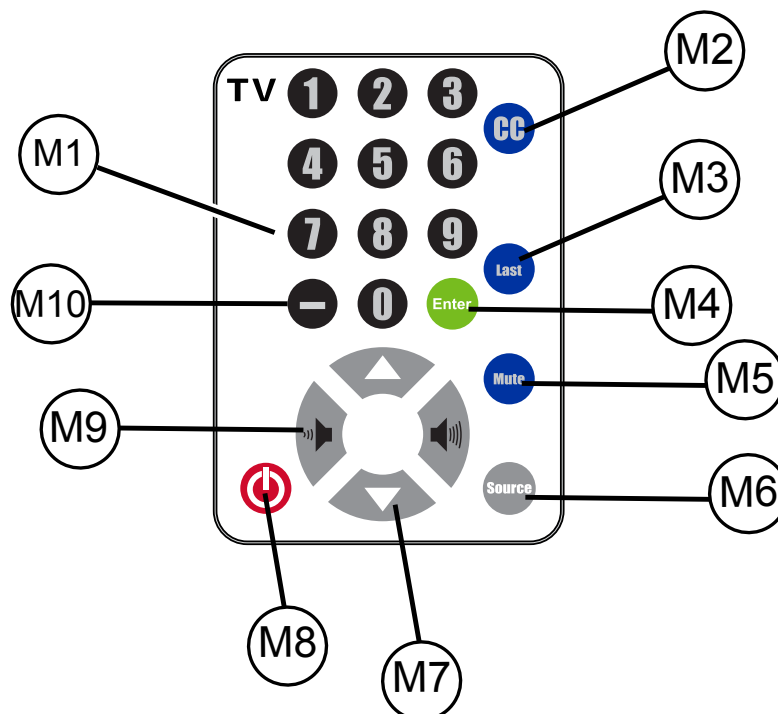
M6 SOURCE SELECT: Use this key to select TV or optional AUX (auxiliary) audio source.

M7 UP/DOWN ARROW KEYS: Use these keys to change channels.

M8 POWER: Use this key to turn the power On and Off.

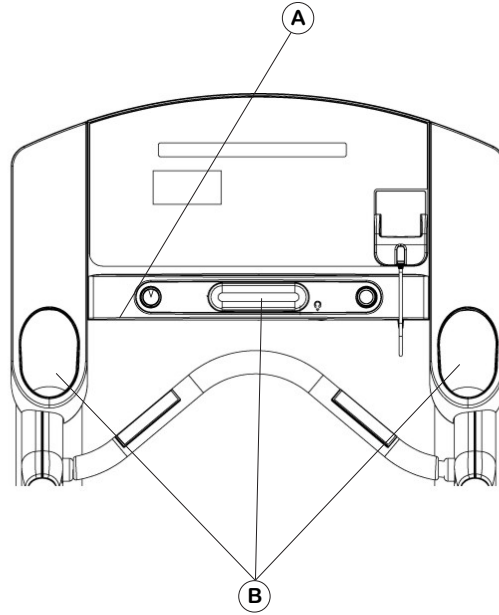
M9 LEFT and RIGHT VOLUME KEYS: Use these keys to adjust the volume up and down (*Current Selected Source*).

M10 DIGITAL TV TUNER SUB-CHANNEL ENTRY KEY (-): Use this key to enter Digital TV channels.



2.3 Reading Rack and Accessory Trays

The display console design includes a built-in reading rack (A) allowing a book or magazine to be supported during the workout. Also included in the display console are three built-in accessory trays (B), two side trays to accommodate large items such as water bottles and one center tray for smaller items.



3 Heart Rate Zone Training®

3.1 Why Heart Rate Zone Training Exercise?

Research shows that maintaining a specific heart rate while exercising is the optimal way to monitor the intensity of a workout and to achieve maximum results. That is the idea behind the Life Fitness Heart Rate Zone Training® approach to exercise.

Zone Training identifies an exerciser’s ideal heart rate range, or zone, for burning fat or increasing cardiovascular fitness. The zone is a percentage of the theoretical maximum (HRmax), and its value depends on the workout. The maximal Heart Rate formula is defined by the American College of Sports Medicine’s “Guidelines for Exercise Testing and Prescription”, 8th Edition, 2010. HRmax equals to 206.9 minus the total of 0.67 multiplied by a person’s age.

$$\text{HR Max} = 206.9 - (0.67 * \text{age})$$

The Life Fitness Treadmill features five exclusive workouts designed to take full advantage of the benefits of Heart Rate Zone Training+ exercise:

- FAT BURN
- HEART RATE HILL™
- EXTREME HEART RATE™
- CARDIO
- HEART RATE INTERVAL™

Each workout offers different benefits, as discussed in Section 4, *The Workouts*.

NOTE: Consulting a fitness trainer is recommended for defining specific fitness goals and designing a workout program.

To change the target heart rate during a workout, simply enter a new target heart rate using the NUMERIC KEYPAD. To switch between programs during a workout, use the WORKOUT SELECTION KEYS.

The Heart Rate Zone Training® workout programs measure heart rate. Wear the optional Polar® telemetry heart rate chest strap, or grip the Lifepulse™ sensors, to enable the treadmill’s on-board computer to monitor the heart rate during a workout. The computer automatically adjusts the incline level to maintain the target heart rate based on the actual heart rate.

Age	Theoretical Maximum Heart Rate	65% (Fat Burn)	80% (Cardio)
10	200	130	160
20	194	126	155
30	187	121	149
40	180	117	144
50	173	113	139
60	167	108	133
70	160	104	128
80	153	100	123
90	147	95	117
99	141	91	112

NOTE: Reference the above chart for Theoretical Maximum Heart Rates and Target Heart Rates.

3.2 Heart Rate Monitoring

The Lifepulse™ System

To use the treadmill's Lifepulse system to check the heart rate during a workout, grasp the stainless steel sensors on the Ergo™ front handlebar. Two sensors are located on each of the handlebars. Contact must be maintained with all four sensors to obtain a heart rate. The console displays a heart rate within 20 to 30 seconds of contact with the sensors. Do not attempt to grasp the sensors at speeds above 4.5 mph or 7.2 kph. For these speeds, the use of a heart rate chest strap is recommended.

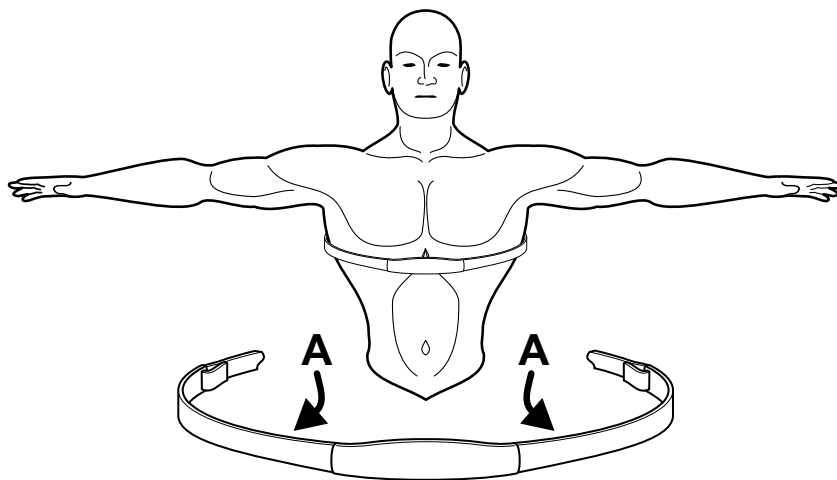
The Optional Polar® Telemetry Heart Rate Chest Strap

The Life Fitness Treadmill is equipped with Polar® telemetry, a heart rate monitoring system in which electrodes, pressed against the skin, transfer heart rate signals to the treadmill console. These electrodes are attached to a chest strap that the user wears during the workout. The Polar telemetry heart rate chest strap is optional. Contact Life Fitness Customer Support Services to order.

See the diagram below for correct positioning of the Polar telemetry heart rate chest strap. The electrodes (A), which are the two grooved surfaces on the underside of the strap, must remain wet to transmit accurately the electrical impulses of the heart back to the receiver. Moisten the electrodes. Then, secure the Polar telemetry heart rate chest strap as high under the chest muscles as possible. The strap should be snug, but comfortable enough to allow for normal breathing.

The transmitter strap delivers an optimal heart rate reading when the electrodes are in direct contact with bare skin. However, it functions properly through a thin layer of wet clothing. If it becomes necessary to re-moisten the Polar telemetry heart rate chest strap electrodes, grasp the center of the strap, pull it away from the chest to expose the two electrodes, and re-moisten them.

During the setup of a heart rate zone training workout, the user will be required to enter a start-up speed. If a Polar telemetry heart rate chest strap is not detected, the maximum allowable speed is 4.5 mph. If a Polar telemetry heart rate chest strap is detected, the maximum speed is 14 mph.



4 Workouts

4.1 Workout Overview

The following workouts are pre-programmed for the Life Fitness Treadmill.

QUICK START is the fastest way to begin exercising. After the QUICK START key is pressed, a MANUAL workout begins immediately.

MANUAL is a constant effort workout in which the user can change incline level or speed at any time.

RANDOM is an interval training workout of constantly changing intensity levels that occur in no regular pattern or progression.

HILL is an interval training workout. Intervals are periods of intense aerobic exercise separated by regular periods of lower-intensity exercise.

SPEED INTERVAL allows the user to toggle between user defined jog and run speeds.

SPORT TRAINING™ (5K) is a distance-goal workout that simulates an actual terrain with varying incline levels. It is designed to assist runners in training for a 5-kilometer, or 3.1-mile, race. This is accessible through the PERSONAL TRAINER workouts button.

SPORT TRAINING™ (10K) is a distance-goal workout that simulates an actual terrain with varying incline levels. It is designed to assist runners in training for a 10-kilometer, or 6.2-mile, race. This is accessible through the personal trainer workouts button.

PERSONAL TRAINER workouts are accessed through the PERSONAL TRAINER key. These include the pre-programmed **DISTANCE GOAL, CALORIES GOAL, and TIME IN ZONE GOAL** workouts, as well as up to six custom workouts, which may be programmed by a fitness club manager or other authorized staff.

HEART RATE HILL™ takes the user through three different hills based on the target heart rate. The user wears a Polar telemetry heart rate chest strap or grasps the Lifepulse sensors continuously.

HEART RATE INTERVAL™ alternates between a hill and a valley based on the target heart rate. The user wears a Polar telemetry heart rate chest strap or grasps the Lifepulse sensors continuously.

EXTREME HEART RATE™ is an intense workout for more experienced users. It is designed to get the heart rate up and down as quickly as possible. The user wears a Polar telemetry heart rate chest strap or grasps the Lifepulse sensors continuously.

FAT BURN is a low-intensity workout for burning a higher percentage of calories from fat. The user wears a Polar telemetry heart rate chest strap, or grasps the Lifepulse sensors continuously. The program adjusts the intensity level through changing the incline (elevation), based on the actual heart rate, to maintain the rate at 65% of the theoretical maximum.

CARDIO is a higher intensity workout for more fit users, maximizing cardiovascular benefits and total calories burned. The user wears a Polar telemetry heart rate chest strap or grasps the Lifepulse sensors continuously. The program adjusts the intensity level, based on the actual heart rate, to maintain the rate at 80% of the theoretical maximum.

FITNESS TESTS

LIFE FITNESS FIT TEST estimates cardiovascular fitness and can be used to monitor improvements in endurance every 4-6 weeks.

ADDITIONAL FITNESS TESTS are similar to the FIT TEST workout, except these programs are based upon specific predefined protocols. The available tests are:

- **ARMY PHYSICAL FITNESS TEST (PFT)** - (U.S. Military)
- **NAVY PHYSICAL READINESS TEST (PRT)** - (U.S. Military)
- **MARINES PHYSICAL FITNESS TEST (PFT)** - (U.S. Military)
- **AIR FORCE FITNESS TEST (PRT)** - (U.S. Military)
- **WFI SUBMAX PROTOCOL** - (International Association of Fire Fighters)
- **PHYSICAL EFFICIENCY BATTERY (PEB)** - (U.S. Federal Law Enforcement)

4.2 Using the Workouts

Select a workout or log on to a fitness network exercise database. See *Logging On To the Network* for details. The chart below lists the steps for setting up each workout. Use the NUMERIC KEYPAD to enter the values when prompted by the MESSAGE CENTER, or use TIME, INCLINE, OR SPEED ARROW keys to scroll to desired values displayed on the MESSAGE CENTER. Press ENTER to confirm each selection. These entered values can be changed during all workouts, except for those found under the FIT TEST button.

Quick Start

Press QUICK START
Begin workout

Manual

Press MANUAL
Enter Weight
Enter Time
Enter Incline
Enter Speed
Begin Workout

Random

Press RANDOM
Enter Weight
Enter Time
Enter Level
Enter Speed
Begin Workout

Fat Burn

Press FAT BURN
Enter Weight
Enter Time
Enter Age
Enter Target Heart Rate
Enter Speed
Begin Workout

Cardio

Press CARDIO
Enter Weight
Enter Time
Enter Age
Enter Target Heart Rate
Enter Speed
Begin Workout

Hill

Press HILL
Enter Weight
Enter Time
Enter Level
Enter Speed
Begin Workout

Personal Trainer Workouts

Press PERSONAL TRAINER repeatedly until PERSONAL TRAINER WORKOUT appears; press ENTER
Select the desired workout number (1-6); press ENTER
Begin workout

Calories Goal

Press PERSONAL TRAINER repeatedly until CALORIES GOAL appears; press ENTER
Enter Weight
Enter Calories
Enter Incline
Enter Speed
Begin Workout

Distance Goal

Press PERSONAL TRAINER repeatedly until DISTANCE GOAL appears; press ENTER
Enter Weight
Enter Distance
Enter Incline
Enter Speed
Begin Workout

Time In Zone Goal

Press PERSONAL TRAINER repeatedly until TIME IN ZONE GOAL appears; press ENTER
Enter Weight
Enter Time
Select Fat Burn or Cardio
Enter Age
Enter Target Heart Rate
Enter Speed
Begin Workout

Sport Training™

Press PERSONAL TRAINER repeatedly until SPORT TRAINING 5K or SPORT TRAINING 10K appears; press ENTER
Enter Weight
Enter Level
Enter Speed
Begin Workout

Heart Rate Hill™

Press ZONE TRAINING+ repeatedly until HEART RATE HILL appears; press ENTER
Enter Weight
Enter Time
Enter Age
Enter Target Heart Rate
Enter Speed
Begin Workout

Heart Rate Interval™

Press ZONE TRAINING+ repeatedly until HEART RATE INTERVAL appears; press ENTER
Enter Weight
Enter Time
Enter Age
Enter Target Heart Rate
Enter Speed
Begin Workout

Extreme Heart Rate™

Press ZONE TRAINING+ repeatedly until EXTREME HEART RATE appears; press ENTER
Enter Weight
Enter Time
Enter Age
Enter Target Heart Rate
Enter Jog Speed
Begin workout

Life Fitness Fit Test

Press FIT TEST repeatedly until FIT TEST = 5 MIN appears; press ENTER
Enter Weight
Enter Age
Enter Gender
Enter Speed
Begin Workout

ARMY PFT

Press FIT TEST repeatedly until ARMY PFT appears; press ENTER
Enter Weight
Enter Age
Enter Gender
Enter Speed
Begin 2.0 mile test

NAVY PRT

Press FIT TEST repeatedly until NAVY PRT appears; press ENTER
Enter YES or NO to question: IS ELEVATION LESS THAN 5000 FEET ABOVE SEA LEVEL?
Enter Weight
Enter Age
Enter Gender
Enter Speed
Begin 1.5 mile test

MARINES PFT

Press FIT TEST repeatedly until MARINE PFT appears; press ENTER
Enter YES or NO to question: IS ELEVATION LESS THAN 4500 FEET ABOVE SEA LEVEL?
Enter Weight
Enter Gender
Enter Speed
Begin 3.0 mile test

AIR FORCE PRT

Press FIT TEST repeatedly until AIR FORCE PRT appears; press ENTER
Enter Weight
Enter Age
Enter Gender
Enter Speed
Begin 1.5 mile test

WFI SUBMAX PROTOCOL

press FIT TEST repeatedly until WFI SUBMAX PROTOCOL appears; press ENTER
Enter Weight
Enter Height
Enter Age
Begin 3-minute warmup
Begin Test

PEB TEST

Press FIT TEST repeatedly until PEB TEST appears; press ENTER
Enter Weight
Enter Age
Enter Gender
Enter Speed
Begin Test

SPEED INTERVAL

Press SPEED INTERVAL
Enter Weight
Enter Time
Enter Incline
Enter Jog Speed
Enter Run Speed

4.3 Workout Descriptions

QUICK START is the fastest way to begin exercising. After the QUICK START key is pressed, a MANUAL workout begins. For accurate caloric expenditure, enter weight using the ENTER WEIGHT button. The incline level is set to zero by default. Use the INCLINE ARROW key to change the level. Use the SPEED key or NUMERIC KEYPAD to enter a new speed value.

MANUAL

The MANUAL program is a constant effort workout in which the user can change incline level or speed at any time.

RANDOM

The RANDOM program creates a terrain of hills and valleys that varies with each workout. More than one million different patterns are possible.

FAT BURN

The FAT BURN workout is designed to maintain a user's heart rate at 65% of the theoretical maximum (HRmax) for optimal results. Throughout the workout, the user wears a Polar telemetry heart rate chest strap or grasps the Lifepulse™ sensors. If the user is not wearing a Polar telemetry heart rate chest strap, the WORKOUT PROFILE WINDOW displays a heart shape, and the MESSAGE CENTER displays a prompt to grasp the sensors. The console continuously monitors and displays the heart rate, adjusting the intensity level of the treadmill to reach and maintain the target. This system eliminates over-training and under-training, and it maximizes the aerobic benefits of exercise by using the body's fat stores for fuel.

NOTE: *The intensity level is changed by incline. Speed can only be changed by the user.*

CARDIO

The CARDIO workout is virtually identical to Fat Burn, however the target heart rate is calculated at 80% of the theoretical maximum (HRmax). The higher target promotes cardiovascular improvement by placing a heavier workload on the heart muscle.

NOTE: *The intensity level is changed by incline. Speed can only be changed by the user.*

NOTE: *Change the target heart rate at any time by using the NUMERIC KEYPAD.*

SPEED INTERVAL

This program allows the user to toggle between user defined jog and run speeds. The speed interval button will flash throughout the workout. The user can toggle the speeds at any time during the workout by pressing the speed interval button. The current speed will appear in the speed display window.

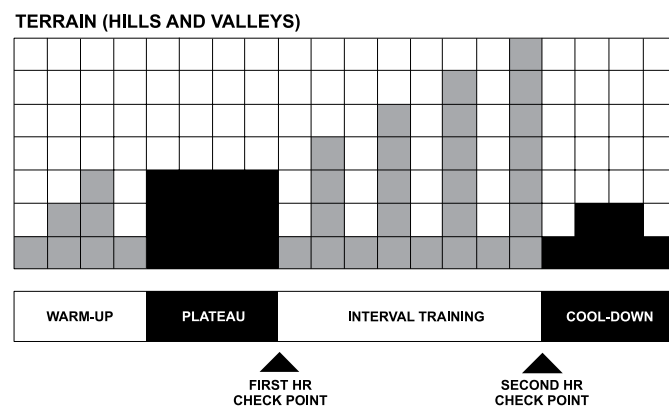
The preset JOG and RUN Speeds cannot be changed during a workout. The speed can be adjusted at any time during a workout using the speed arrow keys. Toggling the JOG and RUN speeds using the speed interval button will reset the speeds to the preset JOG and RUN speeds.

HILL

The Life Fitness-patented HILL workout offers a variety of configurations for interval training. Intervals are periods of intense cardiovascular exercise separated by regular periods of lower-intensity exercise. The WORKOUT PROFILE window represents these high and low intervals as columns of illuminated LEDs, which together have the appearance of hills and valleys. The computerized interval training workout has been scientifically demonstrated to promote greater cardiorespiratory improvement than steady-pace training.

The HILL workout goes through four phases, each marked by different intensity levels. The WORKOUT PROFILE window displays the progress of these phases. As noted in the descriptions below, the heart rate should be measured at two stages in the workout to gauge its effectiveness. Wear the Polar telemetry heart rate chest strap or continuously grip the Lifepulse™ handles. The MESSAGE CENTER does not display a request for a heart rate measurement, as it does with CARDIO, FAT BURN and the HEART RATE ZONE TRAINING programs.

1. **Warm-up** is a phase of low, gradually rising resistance, which brings the heart rate into the lower end of the target zone and increases respiration and blood flow to working muscles.
2. **Plateau** increases the intensity slightly and keeps it steady, to bring the heart rate to the low end of the target zone. Check the heart rate at the end of this phase.
3. **Interval Training** is a series of increasingly steeper hills alternating with valleys or stints of recovery. The heart rate should rise to the high end of the target zone. Check the heart rate at the end of this phase.
4. **Cool Down** is a low-intensity phase that allows the body to begin removing lactic acid and other exercise by-products which build up in muscles and contribute to soreness.



Each column, as seen in the WORKOUT PROFILE WINDOW and the chart above, represents one interval. The overall duration of the workout determines the length of each interval. Each workout is made up of 20 intervals, so the duration of each interval is equal to the duration of the entire workout divided by 20.

1 to 9 minutes: A workout with a duration of less than 10 minutes is insufficient for the HILL program to complete all four phases adequately. The program therefore condenses a workout of this duration at various stages.

10 to 19 minutes: The interval durations initially are set at 30 seconds for a 10-minute workout. For every minute over 10, each interval increases by three seconds. A 15-minute workout consists of 20 intervals at 45 seconds each.

20 to 99 minutes: All intervals last 60 seconds. If the user adds minutes to the pre-set duration while the workout is in progress, the program adds hills and valleys that are identical to the first eight intervals of the Interval Training phase. This pattern repeats until the workout is completed.

PERSONAL TRAINER

• CUSTOM WORKOUTS

The treadmill console stores up to six custom workouts. For information on creating these workouts, see *Programming Custom Workouts* in Section 5.

To use CUSTOM WORKOUTS, press the PERSONAL TRAINER KEY repeatedly until the MESSAGE CENTER displays "personal trainer workouts". Then, press ENTER. The MESSAGE CENTER displays a prompt to select a custom workout number, ranging from 1 to 6. Using the ARROW KEYS or the NUMERIC KEYPAD, select the number and press ENTER. If a workout has not been created for that number, the MESSAGE CENTER simply scrolls to the next number. If a workout has been created for the selected number, the MESSAGE CENTER displays successive prompts to enter the weight and choose a speed. After these entries are provided, the workout begins.

• DISTANCE GOAL

This workout is designed to build endurance. The objective is to cover a certain distance in miles. Once the objective is met, the workout automatically goes into a cool down phase, and ends afterward.

NOTE: When a user sets this goal with the TIME ARROW keys, the console displays the values in .10-mile increments.

• CALORIES GOAL

This workout is designed to promote weight loss and weight control. The objective is to burn a certain number of calories in the selected time duration. Once the objective is met, the workout automatically goes into a cool down phase, and ends afterward.

• TIME IN ZONE GOAL

The Time in Zone Goal program, a feature of Heart Rate Zone Training®, enhances FAT BURN and CARDIO workouts by setting a duration for staying within the target zone as the workout goal. Once the duration objective is met, the workout goes into a cool down phase.

• SPORT TRAINING™

This distance-goal workout is designed for runners training for races. The program creates realistic terrains by setting different incline levels throughout the course. Incline grades depend on the difficulty levels selected during the workout setup. A 1.5% incline grade, which is the baseline level, simulates a flat running surface. A zero percent grade simulates running downhill. Incline durations range between 30 and 60 seconds. The course ends when the distance goal is met. Two Sport Training programs are available on the treadmill:

- Sport Training (5K) is a 5-kilometer, or 3.1-mile, course.
- Sport Training (10K) is a 10-kilometer, or 6.2-mile, course.

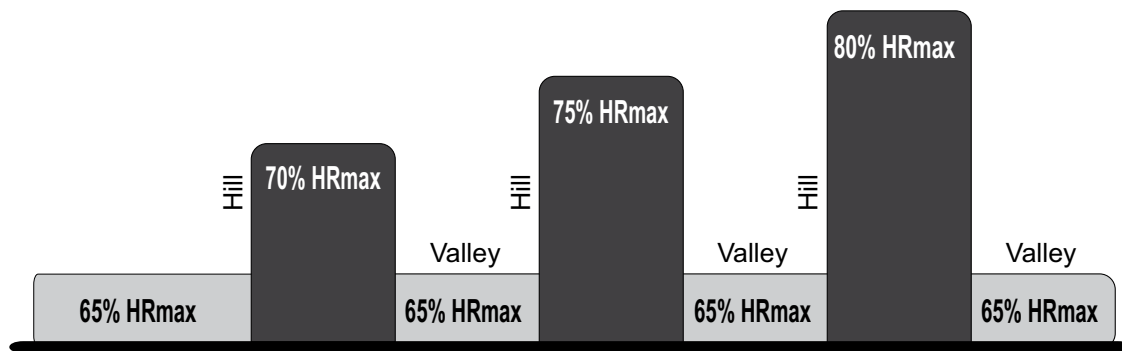
ZONE TRAINING +

Zone Training workouts target specific ranges, or zones, for maintaining a heart rate to achieve maximum exercise results.

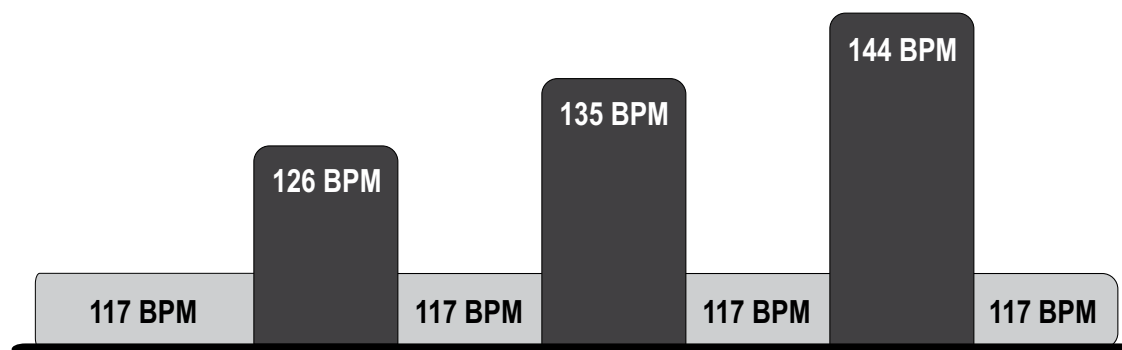
HEART RATE HILL™

This program combines the standard HILL workout profile with the concept of Heart Rate Zone Training. The default target heart rate is calculated as 80% of the theoretical maximum (HRmax), but the user can adjust the target rate during the workout setup. All hills and valleys are percentages of HRmax. The workout consists of three hills that target three heart rate goals: The first hill brings the heart rate to 70% of HRmax. The second hill increases the rate to 75% of HRmax. The third hill matches the Target Heart Rate bringing the heart rate to 80% of HRmax. The valley always is defined as 65 percent of HRmax.

After a standard three-minute warm-up, the workout progresses toward the first hill and heart rate goal. Once the user reaches 70% of HRmax, the hill continues for one minute. When the minute expires, the level decreases into a valley. Once the user's heart rate falls to 65% of HRmax, the valley continues for one minute. Then, the next hill begins with its corresponding heart rate goal. After the user completes the third hill/valley pair, the program returns to the first hill and repeats the cycle as long as the duration allows. At the end of the duration, the workout goes into a cool-down phase. If the heart rate goes above the theoretical maximum for more than 45 seconds, the treadmill automatically goes into pause mode. If the user does not reach a heart rate goal after five minutes, the MESSAGE CENTER displays a prompt to increase or decrease speed, depending on whether the workout is in a hill or valley phase. The program does not proceed to a new heart rate goal until the user reaches the current goal.



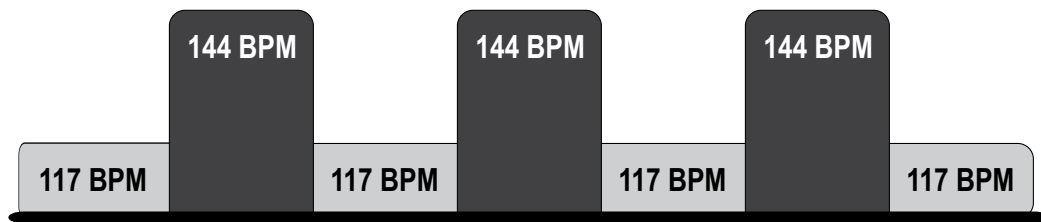
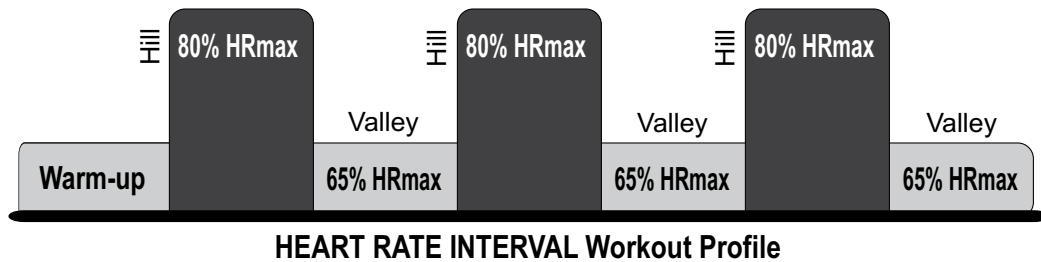
HEART RATE HILL Workout Profile



User Example: 80 percent of theoretical maximum (HRmax) (40 year old / 144 recommended BPM)

HEART RATE INTERVAL™

This program also combines the standard HILL workout profile with the concept of Heart Rate Zone Training. The default target heart rate is calculated as 80% of the theoretical maximum (HRmax), but the user can adjust the target rate during the workout setup. The workout alternates between a hill, which brings the heart rate up to the target rate of 80% of HRmax, and a valley which brings the heart rate down to 65% of HRmax. After a standard three-minute warm-up, the workout progresses toward the first hill and heart rate goal. Once the goal is reached, the hill continues for three minutes, then the level decreases into a valley. Once the 65% of HRmax goal is reached, the valley continues for three minutes, after which the next hill begins. The user's fitness level determines the number of hills and valleys encountered within the duration. At the end of the duration, the workout goes into a cool down phase. If the heart rate goes above the theoretical maximum for more than 45 seconds, the treadmill automatically goes into pause mode. If the user does not reach a heart rate goal after five minutes, the MESSAGE CENTER displays a prompt to increase or decrease speed, depending on whether the workout is in a hill or valley phase. The program does not proceed to a new heart rate goal until the user reaches the current goal.



User Example: 80 percent of theoretical maximum (HRmax) (40 year old / 144 recommended BF)

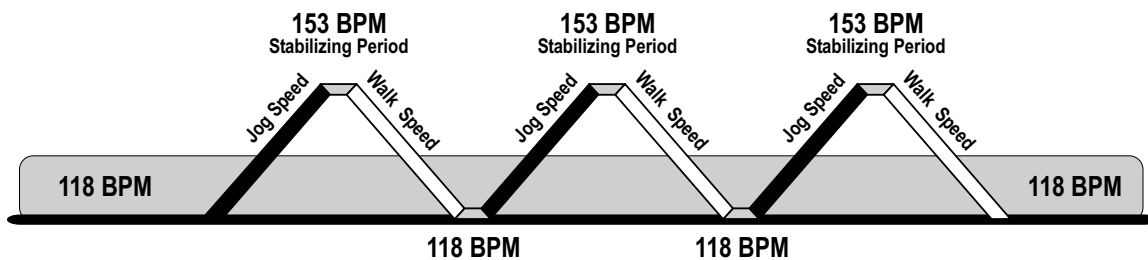
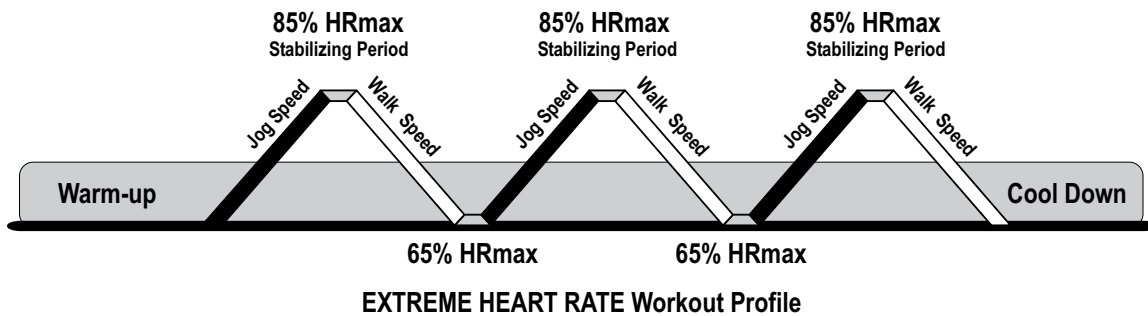
EXTREME HEART RATE™

This intense, varied workout is designed to help more experienced users to break through fitness improvement plateaus. The workout alternates between two target heart rates as quickly as possible. The effect is similar to that of running sprints. The user must wear a Polar telemetry heart rate chest strap or grip the Lifepulse sensors throughout the workout.

NOTE: It is recommended that users who run at speeds faster than 4.5 mph wear the Polar telemetry heart rate chest strap and do not use the Lifepulse sensors.

When setting up the workout, the user enters a target heart rate and selects a walk speed and a jog speed. After a standard three-minute warm-up, the treadmill accelerates to the jog speed, and the incline increases, until the user reaches the target heart rate goal of 85% of the theoretical maximum (HRmax). That target rate is maintained for a stabilizing period. Then, the incline is reduced to 0%, and the treadmill slows to the walk speed. When the heart rate falls to the 65% of HRmax goal, it is maintained there for a stabilizing period. The program repeats the alternating of speeds and incline levels, continuing this pattern throughout the duration.

If the user does not reach a heart rate goal after five minutes, the MESSAGE CENTER displays a prompt to increase or decrease speed, depending on whether the workout is in a hill or valley phase. The program does not proceed to a new heart rate goal until the user reaches the current goal.



User Example 85 percent of theoretical maximum (HRmax) (40 year old / 153 recommended BPM)

FIT TEST

The treadmill FIT TEST program is another exclusive feature of this versatile treadmill. The Fit Test workout estimates cardiovascular fitness and can be used to monitor improvements in endurance every four to six weeks. The user must grasp the hand sensors (if equipped) when prompted, or wear a Polar telemetry heart rate chest strap as the test score calculation is based on a heart rate reading. The workout duration will be five minutes total with a one minute warm-up at 0% incline followed by four additional minutes at a 5% incline. Immediately afterward, the console will take the user's heart rate reading, calculate a fitness score and display the score in the MESSAGE CENTER.

The Fit Test is considered to be a submax $\dot{V}O_2$ (volume of oxygen) test. It gauges how well the heart supplies oxygenated blood to the exercising muscles and how efficiently those muscles receive oxygen from the blood. Physicians and exercise physiologists generally regard this test as a good measure of aerobic capacity.

To set up the Fit Test:

- Press the FIT TEST button repeatedly until the FIT TEST option appears in the message center. Press ENTER to select the FIT TEST option.
- The message center will prompt for a user weight (ENTER WEIGHT). Use the NUMERIC KEYS or UP/DOWN ARROW KEYS to input your weight. Press ENTER to accept the weight.
- The message center will next prompt for a user age (ENTER AGE). Use the NUMERIC KEYS or UP/DOWN ARROW KEYS to input your age. Press ENTER to accept the age.
- The message center will next prompt for a user gender (SELECT GENDER). Using the UP/DOWN ARROW KEYS, select a gender. Press ENTER to accept the gender selection.
- The MESSAGE CENTER will next prompt for a workout level (ENTER speed)(2-4.5 mph). Consult the following recommended fit test level chart for an appropriate effort level based on your age, gender and activity level. Use the NUMERIC KEYS or UP/DOWN speed ARROW KEYS to enter the corresponding level.

After the five-minute FIT TEST is completed, a FIT TEST score and rating will be displayed.

Fit Test Program Suggested Exertion Levels

	Inactive	Active	Very Active
Treadmill Fit Test Level	2 - 3 mph	3 - 4 mph	3.5 - 4.5 mph
	3.2 - 4.8 kph	4.8 - 6.4 kph	5.6 - 7.2 kph

NOTE: Treadmill will incline to 5% after a one minute warm-up.

Suggested exertion levels should be used as a guideline for setting up the Fit Test program. The goal is to elevate the user's heart rate to a level that is between 60%-85% of their theoretical maximum heart rate.

Within each suggested range, these additional guidelines can be used:

Lower Half of Range	Upper Half of Range
higher age	lower age
lower weight	higher weight*
shorter	taller

* In cases of excessive weight, use lower half of range

The computer will not accept:

- heart rates less than 52 or greater than 200 beats per minute
- body weights less than 75 pounds (34 kg) or greater than 400 pounds (181 kg)
- ages below 10 or over 99 years
- data input that exceeds human potential

If you make an error when entering any Fit Test data, you can correct it by pressing CLEAR, inputting the correct information, and pressing ENTER.

It is important for you to take the Fit Test under similar circumstances each time. Your heart rate is dependent on many factors, including:

- amount of sleep the previous night (at least seven hours is recommended)
- time of day
- time you last ate (two to four hours after the last meal is recommended)
- time since you last drank a liquid containing caffeine or alcohol, or smoked a cigarette (at least four hours is recommended)
- time since you last exercised (at least six hours is recommended)

For the most accurate Fit Test results, you should perform the Fit Test on three consecutive days and average the three scores.

NOTE: To receive a proper Fit Test score, the work done must be within a training heart rate zone that is 60% to 85% of the theoretical maximum heart rate (HRmax).

The tables below list fit test results.

Relative Fitness Classification for MEN

Rating	<i>Elite</i>	<i>Excellent</i>	<i>Very Good</i>	<i>Above Average</i>	<i>Average</i>	<i>Below Average</i>	<i>Low</i>	<i>Very Low</i>
Estimated VO₂ Max (ml/kg/min) per Age category								
20 - 29 years	55+	53 - 54	50 - 52	45 - 49	40 - 44	38 - 39	35 - 37	<35
30 - 39 years	52+	50 - 51	48 - 49	43 - 47	38 - 42	36 - 37	34 - 35	<34
40 - 49 years	51+	49 - 50	46 - 48	42 - 45	37 - 41	34 - 36	32 - 33	<32
50 - 59 years	47+	45 - 46	43 - 44	39 - 42	34 - 38	32 - 33	29 - 31	<29
60+ years	43+	41 - 42	39 - 40	35 - 38	31 - 34	29 - 30	26 - 28	<26

Relative Fitness Classification for WOMEN

Rating	<i>Elite</i>	<i>Excellent</i>	<i>Very Good</i>	<i>Above Average</i>	<i>Average</i>	<i>Below Average</i>	<i>Low</i>	<i>Very Low</i>
Estimated VO₂ Max (ml/kg/min) per Age category								
20 - 29 years	47+	45 - 46	43 - 44	38 - 42	33 - 37	31 - 32	28 - 30	<28
30 - 39 years	44+	42 - 43	40 - 41	36 - 39	31 - 35	29 - 30	27 - 28	<27
40 - 49 years	42+	40 - 41	38 - 39	34 - 37	30 - 33	28 - 29	25 - 27	<25
50 - 59 years	37+	35 - 36	33 - 34	30 - 32	26 - 29	24 - 25	22 - 23	<22
60+ years	35+	33 - 34	31 - 32	27 - 30	24 - 26	22 - 23	20 - 21	<20

Life Fitness developed this rating scale based on VO₂ max percentile distributions referenced in *American College of Sports Medicine's Guidelines for Exercise Testing and Prescription* (8th E. 2010). It is designed to provide a qualitative description of a user's VO₂ max estimation, and a means of assessing initial fitness level and tracking improvement.

FITNESS TESTS

The Life Fitness Treadmill features fitness tests based upon specific predefined protocols.

- **Army PFT:** 2.0 miles
The U.S. Army Physical Fitness Test is a physical performance test used to assess muscular endurance and cardiorespiratory fitness.
- **Navy PRT:** 1.5 miles
The running portion of the U.S. Navy Physical Readiness Test is a distance goal test based on the time needed to complete the required distance and is used by the U.S. Navy and Naval academies to measure aerobic capacity.
- **Marines PFT:** 3.0 miles
The U.S. Marines Physical Fitness Test is a physical performance test used to assess muscular endurance and cardiorespiratory fitness.
- **Air force PRT:** 1.5 miles
The U.S. Air Force Physical Readiness Test is a physical performance test used to assess muscular endurance and cardiorespiratory fitness.
- **WFI Submax Protocol:** Submaximal VO₂
The WFI Submax Protocol is a graded submax assessment used to predict a fire fighter's aerobic capacity. This test automatically increases speed and incline until a target heart rate is reached. This assessment replaces the Gerkin assessment.
- **Physical Efficiency Battery:** 1.5 miles
The Physical Efficiency Battery is used by U.S. Federal Law Enforcement, U.S. Federal Bureau of Investigation, and other federal organizations for the hiring and maintenance of federal jobs.

Scores for these tests are based on finishing time, age, and gender.

To set up one of these tests, press the FIT TEST key repeatedly until the MESSAGE CENTER displays the name of the desired test, then press ENTER. If the selected test is either the Navy or Marines test, the MESSAGE CENTER displays a question as to whether or not the test is taking place below a certain altitude. For the Navy test, the altitude is 5,000 feet above sea level; and for the Marines test, the altitude is 4,500 feet above sea level. Press 1 for YES and 2 for NO then press ENTER.

At the MESSAGE CENTER prompts, enter the weight, age, gender, and desired speed, using the ARROW keys or the NUMERIC KEYPAD. Press ENTER after each entry. Then, begin the workout. To ensure an accurate test score, do not change these entries once the workout begins.

For all fitness tests except WFI SUBMAX PROTOCOL, after the distance goal is reached, the workout program goes into a cool down. The duration of this phase depends on the amount of time taken to complete the test. For less than five minutes, the cool down is one minute. For five to fifteen minutes, the cool down is three minutes. For longer times, the cool down is five minutes. The user can abort the cool down by pressing the STOP button or the CLEAR key. After the cool down is aborted or completed, the MESSAGE CENTER displays the finishing time and a point score for the PEB, Army, and Marines tests; or a qualitative score, such as Excellent, for the Navy test.

For the WFI SUBMAX PROTOCOL, once the target heart rate has been exceeded for fifteen seconds, the program goes into a cool down. The cool down last for three minutes at 3 mph at a 0% grade. The workout summary includes the following information:

- The test time is displayed in the TIME window.
- The VO₂ max test score is displayed in the SPEED window.
- The recovery heart rate is displayed in the HEART RATE window.

4.4 Maximizing Workouts on a Life Fitness Treadmill

Selecting a Level

The steps for setting up a HILL, RANDOM, SPORT TRAINING 5K, and SPORT TRAINING 10K workout include selecting a level. The word “level” refers to a range of incline percentages. The treadmill features 20 levels, with Level 1 having the lowest average incline grade and Level 20 having the highest.

Level	Incline
1	0.0 - 1.5
2	0.0 - 2.2
3	0.0 - 2.9
4	0.0 - 3.6
5	0.0 - 4.3
6	0.0 - 5.0
7	0.0 - 5.7
8	0.0 - 6.4
9	0.5 - 7.1
10	1.5 - 7.8
11	2.0 - 8.5
12	3.0 - 9.2
13	3.5 - 9.9
14	5.0 - 10.6
15	5.5 - 11.3
16	6.5 - 12.0
17	7.0 - 12.7
18	8.0 - 13.4
19	8.7 - 14.1
20	9.0 - 15.0

Within each level are seven incline percentages, or hills. During a workout, each hill appears in the WORKOUT PROFILE window as rows of light stacked in a column. The number of lit rows within a column corresponds to an incline percentage. For example, in Level 5 the lowest incline is 0.0% and is represented as one lit row. The highest incline, 4.3%, is represented by a column with all seven rows lit.

In the HILL and Random workouts, these varying hills occur for equal durations, as discussed in the HILL workout description. When the workout program brings up a new hill, the incline percentage changes automatically to match that hill. To change levels during a workout, use the ARROW keys or the NUMERIC keypad.

Using InstaPace™ Feedback

The InstaPace™ Feedback feature enables users to monitor their pace, or rate of minutes per mile, while running on the treadmill. This feature must be enabled in the Manager’s Configuration. See Section 5 for more information. The MESSAGE CENTER displays the MPH and pace simultaneously when the user adjusts the treadmill speed with the arrow keys. If the user adjusts the speed using the NUMERIC keypad, the MESSAGE CENTER displays the pace after the treadmill reaches the new speed.

Using ZerOut™ Speed Control

If during a workout, a user decreases the speed to the minimum and continues to hold the DECREASE SPEED ARROW, the speed falls to 0 mph which is pause mode. The minimum speed is 0.5 mph, unless changed in the Manager’s Configuration. See Section 5 for more information.

Cool Down

Life Fitness' unique Cool Down Protocol automatically customizes every cool down based on each user's workout performance. Workout performance factors such as speed, incline, duration and heart rate determine the duration and intensity of the cool down.

Dimming

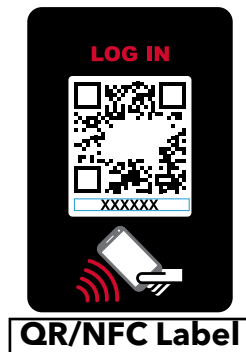
The dimming feature controls the brightness of the treadmill console display. To change the default brightness setting, press the PERSONAL TRAINER button repeatedly until the MESSAGE CENTER displays "DIMMING," and press ENTER. Then use the ARROW keys to increase or decrease the brightness to the desired setting, and press ENTER to save the new setting, or press CLEAR to revert to the default brightness setting.

If a new brightness setting is selected for a workout, that setting remains in place until it is manually changed, or the workout concludes. When a new workout begins the brightness reverts to the default setting.

5 WIRELESS CONNECTIVITY

Connect Integrity Series cardio equipment to LFconnect.com to

- offer workout tracking for exercisers
- obtain equipment usage information



1. Download the LFconnect Install App. A link can be found at www.lftechsupport.com.
Note: Requires an Apple or Android device with a data connection and an LFconnect account.
2. Initialize each machine using the install App.
 - a. Scan MAC address barcode on connect module.
 - b. Scan serial number barcode on base of machine.
 - c. Scan QR code label.
3. Enter the following facility information using the install app:
 - a. Facility Name
 - b. Facility Address
 - c. Gateway Serial Number

Note: If the App cannot be used at the time of the installation to perform steps 2 and 3 the items listed must be recorded manually and entered at www.lfconnectmoduleinstall.com

4. Perform a test workout on several machines using the LFconnect app. Verify that results get posted to the LFconnect user account associated with the installer's phone.

6 User Menu (Optional Settings)

6.1 Entering and Using the Service Menu

Managers and other authorized personnel can use the Service Menu to access diagnostics, information, maintenance, and configuration submenus.

ENTERING SERVICE MENU

Press and hold down the PAUSE key and pressing the CLEAR key twice. Continue to hold down the PAUSE key until the MESSAGE CENTER displays the words SERVICE MENU. Release the PAUSE key and press the QUICK START key.

The MESSAGE CENTER then displays MANAGER CONFIG. Use the UP and DOWN ARROW keys to navigate through the two Configuration Submenus:

- Manager's Configuration. See the following page for a list of Manager's Configuration (Optional Settings).
- Manufacturer's Configuration.

NOTE: The ENTER key cannot be used to select the Manufacturer's Configuration submenu which contains settings that cannot be changed by the customer.

Service Menu Overview

Diagnostics (System Test)

The Diagnostics submenu allows technicians to run systems diagnostics. Use the UP and DOWN ARROW keys to navigate through the list of diagnostic utilities. Use the ENTER key to select the current navigated utility. Press the CLEAR key to exit the current diagnostic utility. Press the CLEAR key repeatedly to exit the Diagnostics Menu.

NOTE: These tests should only be used by (or with the express instruction of) a trained Life Fitness service technician.

Information

The Information submenu allows authorized personnel to view system statistics and other details. Use the UP and DOWN ARROW keys to navigate through the list of diagnostic utilities and / or display information. Use the ENTER key to select the current navigated utility. Press the CLEAR key to exit the current diagnostic utility. Press the CLEAR key repeatedly to exit the Information Menu.

System Statistics
Main Motor Information
System Errors
Belt / Deck Information

Software Version
Lift Motor Information
Maintenance Information

Maintenance

The Maintenance submenus allow authorized personnel to log maintenance events.

Configuration

Use the UP and DOWN ARROW keys to navigate through the two Configuration Submenus: Manager's Configuration and Manufacturer's Configuration. See the next page for a list of Manager's Configurations (Optional Settings).

6.2 Manager's Configuration (Optional Settings)

Setting	Default	Description
Language	<i>English</i>	This option allow for the setting of a new default language for user and service messages.
Maximum Workout Duration	60 Minutes	This feature allows the setting of maximum workout duration limits.
English / Metric Units	English (International: Metric)	This option sets the measurement unit type for weight, distance, and speed.
Custom Workout Entry	None Defined	This feature allows for creation or modification of six custom personal trainer workouts.
Telemetry	On	Switching on the telemetry feature makes it possible to use the Polar-compatible Heart Rate Zone Training exercise Polar telemetry heart rate chest strap for monitoring the heart rate.
Maximum Speed	12.0 mph (International: 19 kph)	This option allows for setting the fastest speed at which the treadmill can operate.
Minimum Speed	0.5 mph (International: 0.8 kph)	This option allows for setting the slowest speed at which the treadmill can operate.
Pause Timeout	1 Minute	This sets the maximum time during which a workout can remain in pause mode.
WATTS Display	Off (International: On)	If this option is enabled, the MESSAGE CENTER displays the Watts equivalent of the step rate.
METS Display	Off	If this option is enabled, the MESSAGE CENTER displays the METs equivalent of the step rate.
Pace Display	On	If this option is enabled, the rate of minutes per mile is displayed.
Calorie Per Hour (CPH) Display	On (International: Off)	If this option is enabled, the MESSAGE CENTER displays the number of calories burned per hour during the workout.
Distance Climbed	Off	If this option is enabled, the total distance climbed, based on the incline and speed of the treadmill, is displayed.
Acceleration Rate	3	This sets the rate at which the treadmill accelerates to the selected speed, ranging from one (slowest) to five (fastest).
Deceleration Rate	3	This sets the rate at which the treadmill decelerates to the selected speed, ranging from one (slowest) to five (fastest).

Setting	Default	Description
Erase Custom Workouts	Not Applicable	If this option is selected, all six custom workout programs will be erased.
Maximum Incline	15.0	This option changes the maximum incline grade to a value lower than 15%.
Start Message Setup	NO MESSAGE	This option allows managers to create and change the Start Message.
Quick Start via Numeric Keys	Allowed	Use this option to disable or enable QUICK START workouts via the Numeric Keys. See <i>Using Quick Start Disable</i> .
Fit Test Plus	On (International: Off)	This option enables / disables the additional Fit Tests. These include: Army PFT; Navy PRT; Marines PFT; WFI Submax Protocol, and PEB.
System Beeps	On	This option controls whether the system speaker beep is generated on key presses.
Language Select	Off	If this option is enabled, users can set the User Language. Choices include: English, German, French, Spanish, Italian, Dutch, and Russian.
Marathon Mode	Off	This option allows the user to workout indefinitely.
Belt Wear Notification Indicator	Off	If enabled, this option will alert a manager if a belt notification exists.
AUX Source	Off	This setting allows control over whether or not an optional CSAFE compatible audio device attached to the CSAFE connector shall be selectable as an audio source with the SOURCE SELECT key.
TV GAIN	2	This setting allows control over the console earphone volume range for the Life Fitness Attachable TV Source. The range of settings are from 0 (Low) to 7 (High).

Programming Custom Workouts

After entering the Manager's Configuration (Optional Settings), use the TIME ARROW keys to scroll through the list of configuration options, or allow the MESSAGE CENTER to scroll automatically through the options. When "CUSTOM WORKOUT ENTRY" appears, press ENTER to select this option.

The CUSTOM WORKOUTS are identified as numbers 1 through 6. Enter the desired number on the NUMERIC KEYPAD or use the arrow keys to scroll through the displayed numbers. Press ENTER to confirm the number selection. If a workout does not already exist for that number, the MESSAGE CENTER displays a request to begin creating the workout.

If a workout does exist for the number in question, the MESSAGE CENTER displays a statement to that effect, followed by the option to modify the existing workout. The steps for modifying a workout are the same as those for creating a new workout:

Using the TIME ARROW keys or the NUMERIC KEYPAD, select a workout duration time in minutes and press ENTER. The duration cannot exceed the max duration set in the Manager's Configuration.

Next, select the interval type. Use the arrow keys to toggle between the displayed options, and press the ENTER key to select the desired interval type. Options are:

- Speed/Incline, in which a treadmill speed and/or incline grade is selected for each interval.
- Target Heart Rate, in which a maximum target heart rate is selected for each interval.

The number of intervals is always 30, so the length of each interval equals the selected duration divided by 30. Each interval is identified by the time at which it occurs during the workout.

If Speed/Incline is selected, the MESSAGE CENTER displays each interval, identified as the time at which the interval occurs. For each displayed interval, enter a speed using the SPEED ARROW keys, and/or enter an incline grade using the INCLINE ARROW keys. Press ENTER to confirm each selection. After values are selected for all 30 intervals, the MESSAGE CENTER displays the statement "CUSTOM WORKOUT COMPLETED" followed by a prompt to create a workout for the next number.

If Target Heart Rate is selected, the MESSAGE CENTER displays each interval identified as a numeral from 1 to 30. For each displayed interval, enter a target heart rate using the arrow keys. Press ENTER to confirm each selection. After values are selected for all 30 intervals, the MESSAGE CENTER displays the statement "CUSTOM WORKOUT COMPLETED" followed by a prompt to create a workout for the next number.

Using Quick Start Disable

This configuration has two possible values which are selected using the INCLINE ARROW keys. The values are as follows:

- Quick Start with numeric keys "allowed"
- Quick Start with numeric keys "not allowed"

The default value is "allowed". This means that a user can start a QUICK START workout by simply entering a desired workout speed using the NUMERIC KEYS only. If the configuration is set to "not allowed", a user cannot use the NUMERIC KEYS to start a QUICK START workout. A QUICK START workout can always be started by pressing the QUICK START key.

Using The Start Message Setup

This configuration allows for a custom start-up message to be displayed before the default "Select Workout or Press Quick Start" message. The custom message can contain up to 52 characters.

Creating / Changing a Start Message

After entering the Manager's Configuration (Optional Settings), scroll to the start message Setup option and press ENTER. Use the SPEED ARROW keys to select an available letter, number or special character. Use the INCLINE ARROW keys to move forward or backward throughout the message, or insert spaces one character at a time. The current character will blink until the position is moved with the INCLINE ARROW keys.

Saving a Start Message

To save the start message, press ENTER. "Message saved" will appear in the MESSAGE CENTER confirming the message has been saved. To exit the start message setup without saving, press the CLEAR key twice. "Message not saved" will appear in the MESSAGE CENTER confirming the message has not been saved.

Erasing a Start Message

After entering the Manager's Configuration (Optional Settings), scroll to the start message Setup option and press ENTER. Press ENTER to enter the current start message. Press the COOL DOWN key to erase the current start message. "Message erased" will appear in the MESSAGE CENTER stating the message has been erased.

Marathon Mode

Marathon Mode has no preset or settable goal. It allows the user to workout indefinitely. A workout in Marathon Mode ends only if the user chooses to end it or a stop system is activated.

To enable the Marathon Mode, enter the Manager's Configuration (Optional Settings). Using the TIME UP / DOWN ARROW keys, scroll to MARATHON MODE. Once MARATHON MODE appears in the MESSAGE CENTER, press any of the INCLINE or SPEED UP/DOWN ARROW keys to toggle the mode from OFF to ON.

While setting up a workout, enter a time value greater than the upper limit displayed on the console. Once the upper time limit is exceeded, the message center will display MARATHON MODE.

Within a workout, Marathon Mode can be immediately ended by pressing the TIME Key. Pressing the TIME Key makes it possible to set a time goal as long as it's not less than the time already spent in the workout.

User Language Select

If enabled, this option allows users to select the language by which to interact with the unit during a workout.

To enable the User Language Select option, enter the Manager's Configuration (Optional Settings). Using the TIME UP / DOWN ARROW keys, scroll to language sel. Once language sel appears in the MESSAGE CENTER, press any of the INCLINE or SPEED UP/DOWN ARROW keys to toggle the mode from OFF to ON.

The console will display the message "select language using arrow keys". The user can select from a list of available languages (English, German, French, Spanish, Italian, Dutch, and Russian) using any of the arrow keys. Press enter when the desired language appears to select that language. A workout can now be started using the selected language. Selecting a language is not necessary to begin a workout. Simply press the QUICK START key to start a workout or any of the program keys to begin workout programming using the default language.

7 Service and Technical Data

7.1 Preventive Maintenance Tips

Life Fitness products are backed by the engineering excellence and reliability of Life Fitness and are one of the most rugged and trouble-free pieces of exercise equipment on the market today.

NOTE: Safety of the equipment can be maintained only if the equipment is examined regularly for damage or wear. Keep the equipment out of use until defective parts are repaired or replaced.

REMARQUE: pour conserver un matériel sûr, il convient de l'inspecter régulièrement afin de déceler tout signe d'usure ou d'endommagement. N'utilisez pas l'appareil tant que les pièces défectueuses n'ont pas été réparées ou remplacées.

The following preventive maintenance tips will keep the Life Fitness product operating at peak performance:

- Clean the display console and all exterior surfaces with an approved or compatible cleaner (see *Life Fitness Approved Cleaners*) and a soft cotton cloth.
- DO NOT use ammonia or acid based cleaners. DO NOT use abrasive cleaners. DO NOT use paper towels, DO NOT apply cleaners directly to equipment surfaces.*
- Check operation of the emergency stop system once a week.
- Check the operation of the stop button once a week.
- Inspect and vacuum the area directly surrounding and under the unit regularly.
- Vacuum around the striding belt regularly to keep debris from accumulating.
- Inspect exterior parts regularly for wear, particularly the striding belt, deck and line cord.
- Check to make sure the unit is properly leveled.
- Check the position (centering) of the striding belt.

The optimum operating position of the striding belt is from 1.5 inches (38 mm) to 2.0 inches (51 mm) from either side of the frame. If the striding belt travels beyond this position, see Section 6.5 *How to Adjust and Tension the Striding Belt*, or contact Life Fitness Customer Support Services for proper alignment instructions at 1-800-351-3737 (USA).

*** NOTE:** *When cleaning the exterior of the unit, a non-abrasive cleaner and soft cotton cloth are strongly recommended. At no time should cleaner be applied directly to any part of the equipment; use non-abrasive cleaner on a soft cloth and then wipe the unit. Contact Life Fitness Customer Support Services for more details.*

Life Fitness Approved Cleaners (United States Availability Only)

Two preferred cleaners have been approved by Life Fitness reliability experts: PureGreen 24 and Gym Wipes. Both cleaners will safely and effectively remove dirt, grime and sweat from equipment. PureGreen 24 and the Antibacterial Force formula of Gym Wipes are both disinfectants that are effective against MRSA and H1N1. PureGreen 24 is available in a spray which is convenient for gym staff to use. Apply the spray to a microfiber cloth and wipe down the equipment. Use PureGreen 24 on the equipment for at least 2 minutes for general disinfection purposes and at least 10 minutes for fungus and viral control. Gym Wipes are large, durable pre-moistened wipes to use on the equipment before and after workouts. Use Gym Wipes on the equipment for at least 2 minutes for general disinfection purposes.

Contact Customer Support Services to order these cleaners (1-800-351-3737 or email: customersupport@lifefitness.com).

Life Fitness Compatible Cleaners

Mild soap and water or a mild non-abrasive household cleaner can also be used to clean the display and all exterior surfaces. Use a soft microfiber cloth only. Apply the cleaner to the microfiber cloth before cleaning. DO NOT use ammonia or acid based cleaners. DO NOT use abrasive cleaners. DO NOT use paper towels. DO NOT apply cleaners directly to the equipment surfaces.

7.2 Preventive Maintenance Schedule

Item	Weekly	Monthly	Quarterly	Biannually	Annually
Display Console Assembly					
<i>Hardware</i>			Inspect		
<i>Console Overlay and Activity Zone</i>	Clean			Inspect	
<i>USB Port</i>	Inspect				
<i>Accessory Cups</i>	Clean				Inspect
<i>Stop Switch</i>	Clean			Inspect	
<i>Emergency Switch / Magnet</i>	Clean			Inspect	
Handlebar Assembly					
<i>Hardware</i>				Inspect	
<i>Ergo Front Handlebar</i>	Clean			Inspect	
<i>Side Hand Rails</i>	Clean			Inspect	
<i>Lifepulse Sensors</i>	Clean / Inspect				
Frame Assembly					
<i>Hardware</i>				Inspect	
<i>Motor Cover</i>	Clean	Vacuum / Clean			
<i>Motor Electronic Compartment</i>				Inspect	
<i>Drive Belt</i>				Inspect	
<i>Drive Belt Anti Static Bracket</i>		Inspect			
<i>Leg Levelers</i>		Inspect / Adjust			
<i>Front Roller</i>				Inspect	
<i>Rear Roller</i>				Inspect	
<i>Side Step Area</i>	Clean		Inspect		
General					
<i>Machine Level</i>	* Inspect				
<i>Striding Belt Centered</i>	Inspect				
<i>Frame, Toe Guards, End caps</i>		Visual / Inspect			
<i>* Use bubble level to inspect</i>					

7.3 Troubleshooting the Treadmill

Malfunction	Probable Cause	Corrective Action
No Power	On/Off switch is not in proper position.	Turn the switch to the ON position.
	Power source is insufficient.	Plug treadmill into a 15 amp circuit. Using a voltmeter, verify power at outlet. If no power exists, reset circuit breaker at panel.
	Line cord is damaged.	Replace line cord. Contact Life Fitness Customer Support Services.
	Line cord is improperly seated in socket.	Inspect power connection at wall outlet and at machine for proper contact.
	Note: International Units only You may be in "Energy Saving Mode".	Treadmill will go into Energy Saving Mode after 5 minutes of inactivity. To wake up the console, step on the treadmill belt. The treadmill will automatically wake up and the console will light up. Waking up the treadmill takes approximately 10 seconds after stepping onto the belt.
Striding belt slips off-center.	Floor surface is uneven.	Check levelers and level treadmill. Check striding belt & re-tension as necessary. Refer to How to Adjust and Tension the Striding Belt.
Maximum speed is reduced.	User is pushing striding belt. This occurs when the runner is running faster than the striding belt will travel, with the result of the striding belt being pushed with the runner's feet.	Instruct users not to push striding belt in either direction.
	User is stalling striding belt. This will occur with heavier users at lower striding belt speeds. The striding belt will "stall" if the user is traveling slower than the striding belt speed.	
	Striding belt/deck malfunctions. The deck laminate is worn through or the underside of striding belt is glazed over (hard, glossy).	Replace belt and deck.
	Power source is insufficient.	Plug treadmill into a 15 amp. circuit.
Rubbing sound comes from underneath machine.	Foreign objects may be stuck underneath the machine.	Inspect underneath striding belt and machine. Remove any debris or objects that may cause interference with the treadmill.
Display does not illuminate when machine is powered on.	Loose 10 pin connection at display console or DSP motor control board.	Check all electrical connections for proper attachment. Contact Life Fitness Customer Support Services.

Malfunction	Probable Cause	Corrective Action
Unit resets randomly or pauses.	Power source is insufficient.	Plug treadmill into a 15 amp circuit.
	Damaged ground prong is on line cord.	Replace line cord.
	Line cord improperly seated in electrical outlet.	Inspect power connection at electrical outlet and at machine for proper contact.
	Emergency stop magnet is not engaged.	Re-engage the emergency stop magnet.
	Towel or other item may be making contact with stop switch while user is running.	Move all possible obstructions off display console and handlebar.
	Stop switch is activated with very light pressure or returns slowly after being pressed.	Contact Life Fitness Customer Support Services.
	Stop switch cable is not making proper contact.	
	Main wire harness is pinched.	
	Ground path is open.	

7.4 Troubleshooting the Optional Polar Telemetry Heart Rate Chest Strap

Malfunction	Probable Cause	Corrective Action
Heart rate reading is erratic or absent entirely.	Belt transmitter electrodes are not wet enough to pick up accurate heart rate readings.	Wet the belt transmitter electrodes (<i>see Section 3.2</i>).
	Belt transmitter electrodes are not laying flat against the skin.	Ensure the belt transmitter electrodes are laying flat against the skin (<i>see Section 3.2</i>).
	Belt transmitter needs cleaning.	Wash the belt transmitter with mild soap and water.
	Belt transmitter is not within 3.25 feet (1 meter) of the heart rate receiver.	Make sure the Polar telemetry heart rate chest strap transmitter is within 3 feet (1 meter) of the heart rate receiver.
	Polar telemetry heart rate chest strap battery is depleted.	Contact Life Fitness Customer Support Services for instructions on how to have the Polar telemetry heart rate chest strap replaced.
	Polar telemetry heart rate chest strap did not lock in with the heart rate receiver.	<p>Make sure the Polar telemetry heart rate chest strap is installed and move closer to the heart rate receiver. Wait up to 10 seconds for the heart rate to display on the console.</p> <p>Notes:</p> <ol style="list-style-type: none"> 1. Ensure proper adherence of the Polar telemetry heart rate chest strap to user's chest. 2. Ensure proper conductivity between the electrodes and user's chest. 3. If needed, use the Polar watch to verify the Polar telemetry heart rate chest strap's operation.
Heart rate reading is initially detected and functioning normally but then is lost.	Use of personal electronic devices, such as cell phones and portable MP3 players, causes external noise interference.	Remove the source of noise or reposition the exercise equipment.
	Equipment is in close proximity to other sources of noise such as audio/ video equipment, fans, two way radios, and high voltage/high current power lines.	
Heart rate readings are abnormally elevated.	Television sets and/or antennas generate electromagnetic interference.	Move the treadmill a few inches away from the probable cause, or move the probable cause a few inches away from the treadmill, until the heart rate readings are accurate.
	Cell phones generate electromagnetic interference.	
	Computers generate electromagnetic interference.	
	Cars generate electromagnetic interference.	
	High voltage power lines generate electromagnetic interference.	
	Motor driven exercise equipment generates electromagnetic interference.	
	Another heart rate transmitter within 3 feet (1 meter) generates electromagnetic interference.	

7.5 How to Adjust and Tension the Striding Belt

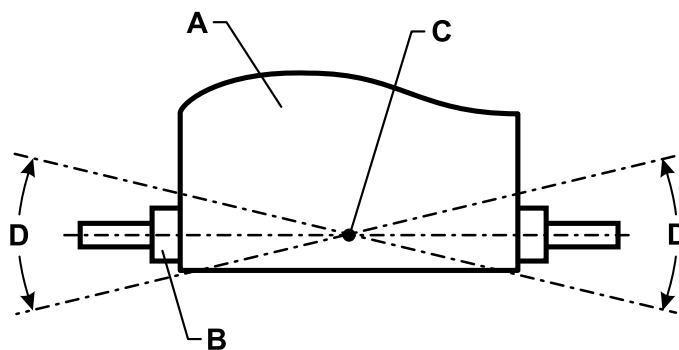
Do not move the treadmill or place hands under the treadmill while it is plugged into an electrical outlet!

The Belt Tensioning Bolts

A 5/16-inch hex key wrench is required for this task. The Life Fitness Treadmill has access holes in the rear roller guards which allow access to the tensioning bolts. These tensioning bolts make it possible to adjust the tracking and centering of the striding belt (A) without removing the guards.

NOTE: *It is extremely important that the treadmill be correctly leveled prior to any tracking adjustments. An unstable unit may cause striding belt misalignment. See "How To Stabilize the Life Fitness Treadmill" prior to attempting any rear roller adjustments.*

Before proceeding, it is helpful to visualize the REAR ROLLER (B) pivot point (C). Each adjustment made to one side of the ROLLER must be met with an equal and opposite adjustment (D) to the other side of the ROLLER to maintain an ideal belt tension at the pivot point.



Tracking (Centering) a Striding Belt

Two people are needed to perform this procedure.

1. Locate the two access holes to the belt tensioning bolts on each of the rear roller guards.
2. One person stands on the side rails of the treadmill and straddles the belt. This person presses the MANUAL work-out and sets the belt speed to 2.5 mph (4.0 kph).
3. If the striding belt has moved to the right, the second person turns the right tension bolt a quarter-turn clockwise and then turns the left tension bolt a quarter-turn counter-clockwise to make the striding belt track back to the center of the roller.

If the striding belt has moved to the left, turn the left tension bolt a quarter-turn clockwise and then turn the right tension bolt a quarter-turn counter-clockwise to make the striding belt track back to the center of the roller.

4. Repeat the adjustments until the striding belt appears centered. Allow the machine to continue running for several minutes at 4.0 mph (6.4 kph) to observe if tracking remains stabilized.

NOTE: *Do not exceed one full turn of the adjusting screws in either direction. If after one full turn the belt does not track properly, contact Life Fitness Customer Support Services.*

Tensioning an Existing Striding Belt

1. Enter the MANUAL workout and operate the treadmill for five minutes at 5.0 mph (8.0 kph).
NOTE: DO NOT RUN or WALK ON BELT.
2. Reduce the speed to 2.0 mph (3.2 kph). Walk on the treadmill. Tightly grip the handrails and apply force with feet on the striding belt near the motor cover against the moving belt direction. If the belt slips, continue to Step 3. If it does not slip, the tension is correct.
3. Using the STOP key, stop the treadmill. Turn the belt tensioning bolts a quarter-turn clockwise for each side.
4. Repeat Steps 2 and 3 until the belt no longer slips. Do not exceed one full turn (four quarter turns) per side when adjusting the belt tensioning bolts.
5. Enter the MANUAL workout, and operate the treadmill at 2.0 mph (3.2 kph) and check to insure proper tracking. If the striding belt drifts to the left or right see *Tracking (Centering) A Striding Belt* on the previous page.

Do not over-tighten the tensioning bolts while making belt adjustments. Over-tightening of bolts may over stretch and damage the striding belt or roller bearings. Do not exceed one full turn of either bolt in either direction.

7.6 Proactive Belt Wear Notification

The treadmill proactively notifies the facility manager about belt wear through diagnostics. A single indicator is lit on the treadmill console (if manager-enabled) when a belt check is required. This indicator light is located in the upper left corner of the workout profile window.

- Automatic belt check reminder at 30,000 miles (48,000 km)
- Notification based on "Unable to Attain Target Speed" errors for specific user weights/speeds.

To check for notifications:

To enter Belt/Deck Info, press and hold the PAUSE key and press the CLEAR key twice. Continue to hold down the PAUSE key until the MESSAGE CENTER displays the words "SERVICE MENU". Use the TIME UP and DOWN arrow keys to navigate to the INFORMATION Menu. Then access the "Belt / Deck Information" submenu.

NOTE: Notifications are automatically cleared once they have been displayed.

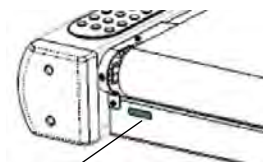
7.7 How to Obtain Product Service / Serial Number Location

1. Verify the symptom and review the operating instructions. The problem may be unfamiliarity with the product and its features and workouts.
2. Locate and write down the serial number of the unit which is located on the back of the unit near the toe guard as well as under the left rear endcap.
3. Contact Life Fitness Customer Support Services.

Remove plastic shroud to find large serial label location.



Large Serial Label



Small Serial Label

8 Specifications

LIFE FITNESS CLST TREADMILL SPECIFICATIONS

Designed use:	Heavy / Commercial
Maximum user weight:	400 pounds / 181 kilograms
Speed range:	0.3 - 14.0 mph (0.5 - 23 kph) in 0.1 increments
Elevation range:	0%-15% (in 0.1% increments)
Drive train:	AC motor with MagnaDrive™ motor controller
Motor type:	Variable Speed AC
Motor size:	4.0 HP continuous duty
Power Requirements (Integrity):	120 volt, 18 amp (U.S.). See Electrical Requirements for requirements outside the United States.
Power Requirements (Club Series):	120 volt, 12 amp (U.S.). See Electrical Requirements for requirements outside the United States.
Rollers:	3.5 inch / 9 centimeter diameter, precision-crowned, front and back
Striding belt:	60" Length x 20" Width (152 cm Length x 51 cm Width), multiply
Waxing system:	Lubricant-Infused Striding Belt
Deck type:	3/4" medium density reversible fiberboard
Shock absorption system:	Patented FlexDeck® Shock Absorption System with Lifesprings™
Ergo™ front handrail:	Ergonomically shaped, overmolded elastomeric grips
Side handrails:	26" (66 cm) long, flared, cantilevered, overmolded elastomeric grips
Stop systems:	Red and yellow magnetic lanyard emergency stop system and Session Stop Push Switch raised and prominently positioned
Workouts:	Quick Start, Manual, Cardio, Fat Burn, Heart Rate Hill™, Heart Rate Interval™, Extreme Heart Rate™ Random, Hill, Sport Training™ (5K and 10K), Speed Interval Training, Calories Goal, Distance Goal, Time in Zone Goal, Time-based Goal, Custom Workouts (6), Life Fitness Fit Test, Army PFT, Navy PRT, Air Force PRT, Marine PFT, WFI Submax Protocol, Physical Efficiency Battery (PEB), Cool Down Model Marathon Mode
Levels:	20 (Hill, Random, 5K and 10K workouts)
Heart rate monitoring systems:	Patented Lifepulse™ digital contact heart rate and Polar® telemetry-compatible heart rate monitoring system
Console displays:	Elapsed time, total distance, distance climbed, total calories burned, pace, calories burned per hour, heart rate, target heart rate, Watts, METS, workout profile, custom start messaging, speed, incline
Ports (2):	Type RJ45, interchangeable Network ready connection and Fitness Entertainment port (power compliant with FitLinxx CSAFE specification dated August 4, 2004: 4.75VDC to 10VDC; maximum current of 85mA).
iPod power and charging:	5Vdc @ 500mA

PHYSICAL DIMENSIONS					
MODEL	WEIGHT LBS (KG)		PHYSICAL DIMENSIONS INCHES (CM)		
	LOW VOLTAGE	HIGH VOLTAGE	LENGTH	WIDTH	HEIGHT
CLST	403 (183 kg)	413 (187 kg)	83 (211 cm)	37 (94 cm)	63.5 (161 cm)

8 Warranty

Model	7 Years	2 Years	1 Year	6 Months
CLST Treadmill	<ul style="list-style-type: none"> • Lifespring™ Shock Absorbers • Drive Motor • Frame 	<ul style="list-style-type: none"> • Electronics (i.e. PCBs such as motor controller and console board) 	<ul style="list-style-type: none"> • Mechanical (i.e. belt and deck) • Electro-Mechanical (i.e. switches, lift motor, electrodes) • Labor 	<ul style="list-style-type: none"> • Console Overlay • Line Cord • Plastic Parts

WHAT IS COVERED:

This Life Fitness consumer product ("Product") is warranted to be free of all defects in material and workmanship.

WHO IS COVERED:

The original purchaser or any person receiving a newly purchased Product as a gift from the original purchaser. Warranty will be voided on subsequent transfers.

HOW LONG IS IT COVERED:

Residential: All electrical and mechanical components and labor are covered, after the date of purchase, as listed on the chart above.

Non-Residential: Warranty void (this Product is intended for residential use only).

WHO PAYS SHIPPING & INSURANCE FOR SERVICE:

If the Product or any warranted part must be returned to a service facility for repairs, Life Fitness will pay all shipping and insurance charges during the warranty period (within the United States only). The purchaser is responsible for shipping and insurance charges after the warranty has expired.

WHAT WE WILL DO TO CORRECT COVERED DEFECTS:

We will ship to you any new or rebuilt replacement part or component, or, at our option, replace the Product. Such replacement parts are warranted for the remaining portion of the original warranty period.

WHAT IS NOT COVERED:

Any failures or damage caused by unauthorized service, misuse, accident, negligence, improper assembly or installation, debris resulting from any construction activities in the Product's environment, rust or corrosion as a result of the Product's location, alterations or modifications without our written authorization or by failure on your part to use, operate and maintain the Product as set out in your User Manual ("Manual"). All terms of this warranty are void if this Product is moved beyond the continental borders of the United States of America (excluding Alaska, Hawaii and Canada) and are then subject to the terms provided by that country's local authorized Life Fitness Representative.

WHAT YOU MUST DO:

Retain proof of purchase. Use, operate and maintain the Product as specified in the Manual; notify the place of purchase of any defect within 10 days after discovery of the defect; if instructed, return any defective part for replacement or, if necessary, the entire Product for repair. Life Fitness reserves the right to decide whether or not a product is to be returned for repair.

USER MANUAL:

It is VERY IMPORTANT THAT YOU READ THE MANUAL before operating the Product. Remember to perform the periodic maintenance requirements specified in the Manual to assure proper operation and your continued satisfaction.

PRODUCT REGISTRATION:

Register online at www.lifefitness.com/home/product-registration.html. Our receipt assures that your name, address and date of purchase are on file as a registered owner of the Product. Being a registered owner assures coverage in the event you lose your proof of purchase. Please retain your proof of purchase, such as your bill of sale or receipt.

HOW TO GET PARTS & SERVICE:

Refer to page one of this manual for your local service contact information. Reference your name, address and the serial number of your Product (consoles and frames have separate serial numbers). They will tell you how to get a replacement part, or, if necessary, arrange for service where your Product is located.

EXCLUSIVE WARRANTY:

THIS LIMITED WARRANTY IS IN LIEU OF ALL OTHER WARRANTIES OF ANY KIND EITHER EXPRESSED OR IMPLIED, INCLUDING BUT NOT LIMITED TO THE IMPLIED WARRANTIES OF MERCHANTABILITY AND FITNESS FOR A PARTICULAR PURPOSE, AND ALL OTHER OBLIGATIONS OR LIABILITIES ON OUR PART. We neither assume nor authorize any person to assure for us any other obligation or liability concerning the sale of this Product. Under no circumstances shall we be liable under this warranty, or otherwise, of any damage to any person or property, including any lost profits or lost savings, for any special, indirect, secondary, incidental or consequential damages of any nature arising out of the use of or inability to use this Product. Some states do not allow the exclusion or limitation of implied warranties or of liability for incidental or consequential damages, so the above limitations or exclusions may not apply to you. Warranties may vary outside the U.S. Contact Life Fitness for details.

CHANGES IN WARRANTY NOT AUTHORIZED:

No one is authorized to change, modify or extend the terms of this limited warranty.

EFFECT OF U.S. STATE LAWS:

This warranty gives you specific legal rights and you may have other rights which vary from state to state.